

CRITICAL DIMENSION CHART

	A	B	C	D	E	F
CLEAR OPENING	* A					
GATE HEIGHT	* B					
POST HEIGHT	B+6"					
PICKET SPACING	**					
PICKET HEIGHT	6"					
INDIVIDUAL PANEL LENGTH	((A/2)+1-3/4"					

2 ELEVATION
VPG-004-1
Scale: None
- OUTSIDE LOOKING IN -

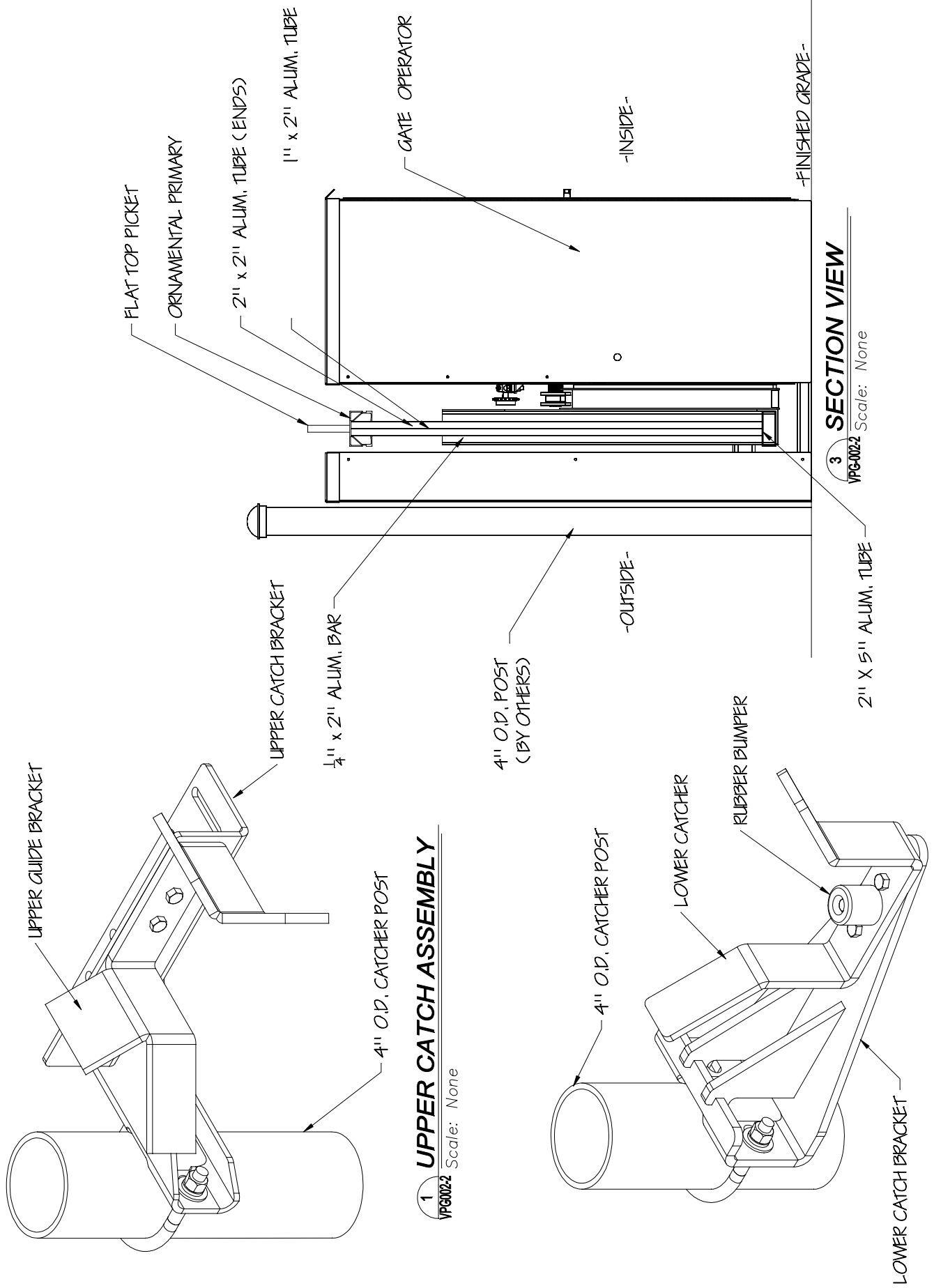
NOTES:

- GATE FINISH: GATE IS POWDER COATED STOCK STANDARD BLACK.
- OPERATOR ENCLOSURE IS PAINTED STOCK STANDARD BLACK.

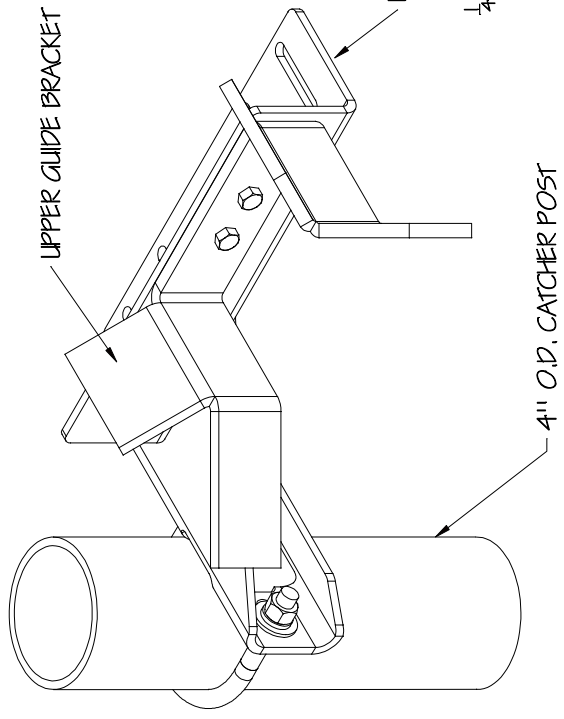
* THE VERTICAL PIVOT GATE IS A COUNTERBALANCED SYSTEM. MAXIMUM CLEAR OPENING WIDTH INCREASES AS HEIGHT DECREASES. CONTACT MANUFACTURER TO VERIFY SIZE.

** 3", 4", 5", 6" O.C. OR AS SPECIFIED.

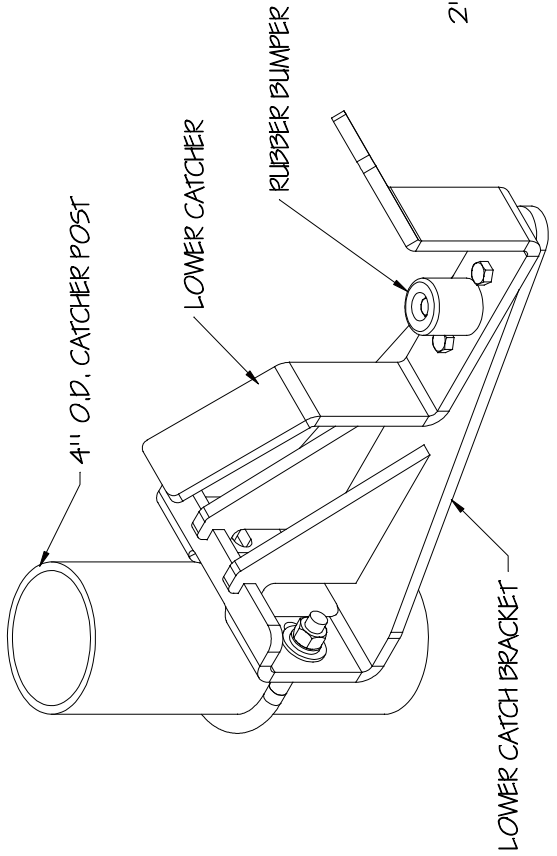
REVISION LEVEL: R2	DATE: 4/1/25	DRAWN BY: NDB
AS NOTED	CHECKED BY: TLC	DATE: 4/1/25
SCALE: As Noted		



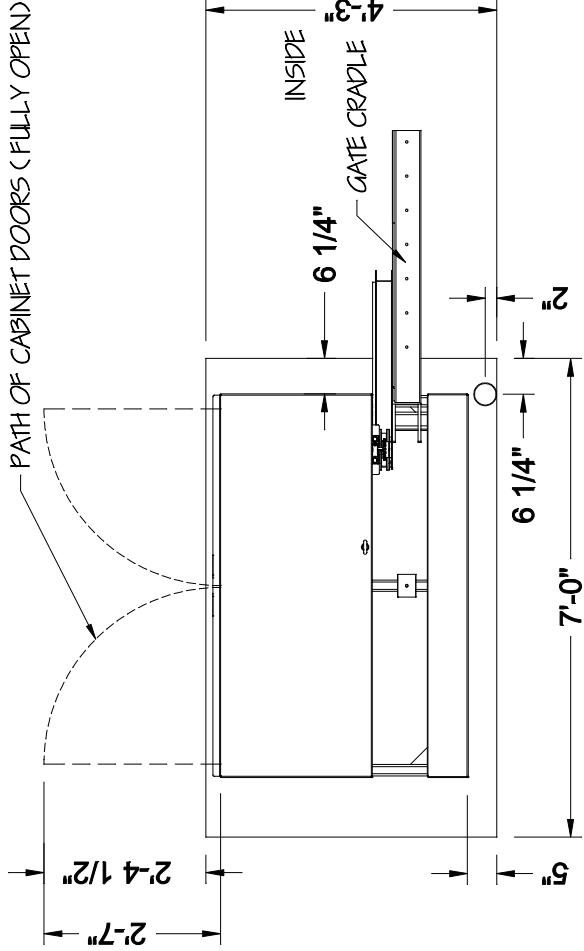
3 SECTION VIEW
 VPG-002-2 Scale: None



1 UPPER CATCH ASSEMBLY
 VPG002-2 Scale: None

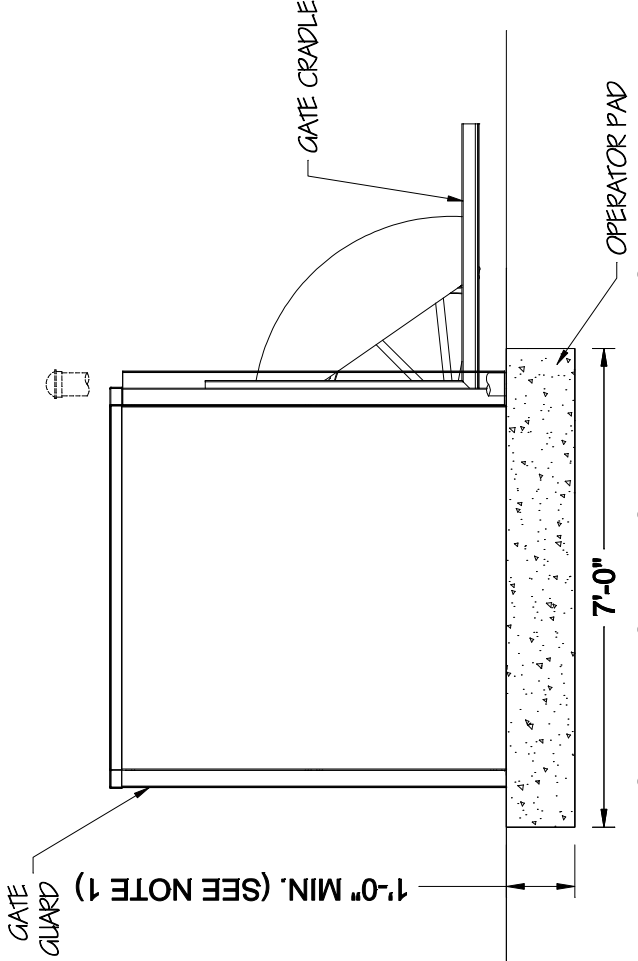


2 LOWER CATCH ASSEMBLY
 VPG002-2 Scale: None



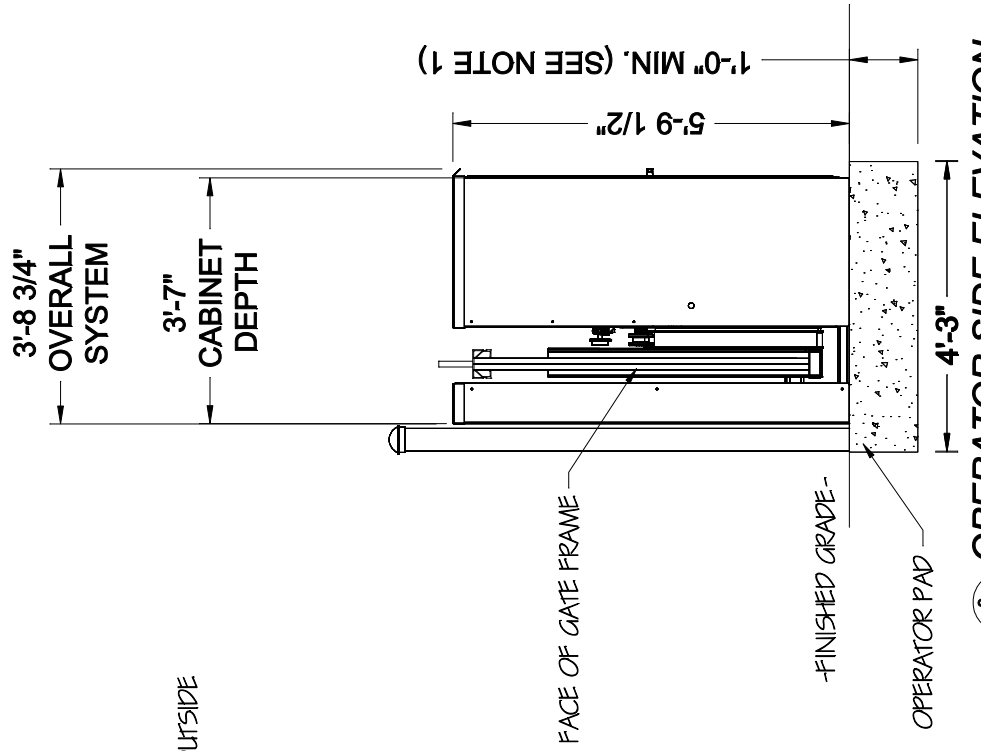
1 OPERATOR PAD LAYOUT PLAN

Scale: None -LEFT TO OPEN SHOWN-



2 OPERATOR FRONT ELEVATION

Scale: None



3 OPERATOR SIDE ELEVATION

Scale: None

- NOTES:**
- OPERATOR PAD DEPTH TO BE IN ACCORDANCE WITH ALL LOCAL CODES AND SOIL CONDITIONS.
 - GATE GUARDS ARE INCLUDED WITH GATE PANELS UP TO 7 FEET TALL. FOR GATES EXCEEDING 7 FEET IN HEIGHT, THE OPERATOR MUST BE ENCLOSED (BY OTHERS) TO PREVENT ENTRAPMENT BY THE GATE WHEN OPEN.

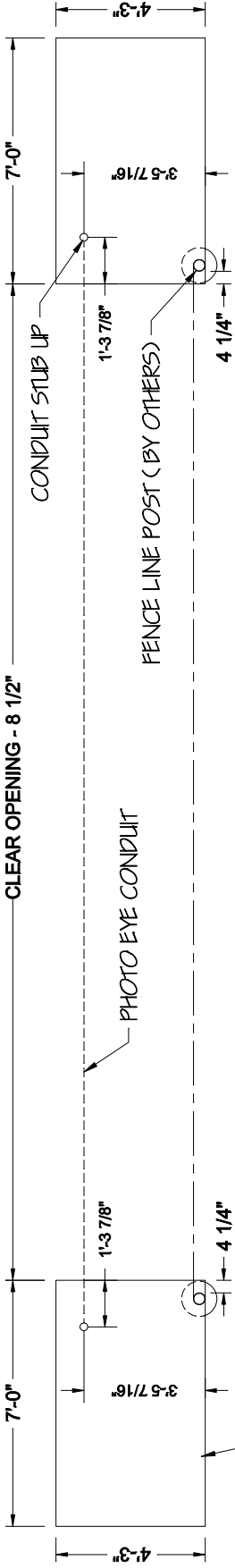
VPG-004-3
DRAWING NUMBER:
3 of 4
SHEET NUMBER:
Operator Details
SUBJECT:
CONTRACTOR:
ARCHITECT/ENGINEER:

PROJECT:	GENERIC INTERNAL PROJECT VPG-004 R2
DRAWN BY:	NDB
DATE:	4/1/25
CHECKED BY:	TLC
DATE:	4/1/25
SCALE:	AS NOTED
REVISION LEVEL:	R2

Tymetal
SECURITY GATES & PERIMETER SOLUTIONS
678 WILBUR AVENUE
GREENWICH, N.Y. 12834
PH: (800) 328-4283 - FX: (518) 692-9404

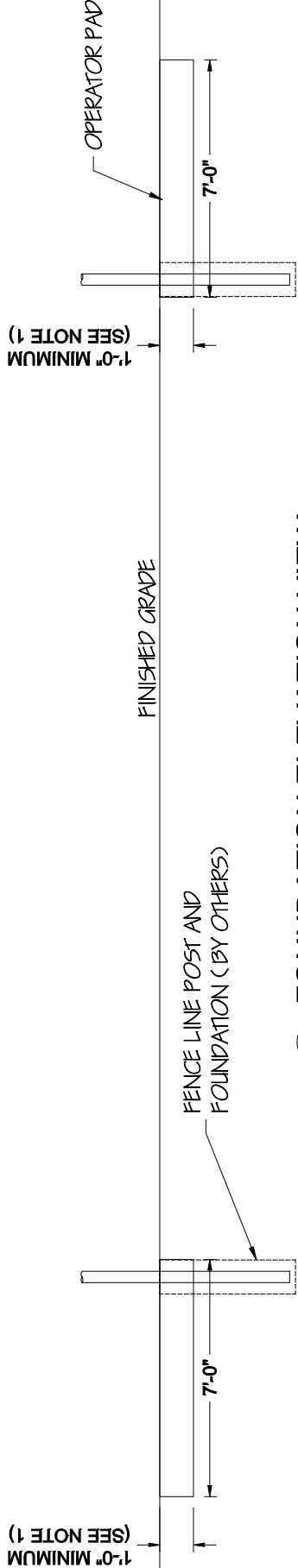
PROPRIETARY & CONFIDENTIAL
The information contained in this drawing is the sole property of TYMETAL. Any reproduction in part or as a whole without the written permission of TYMETAL is prohibited.

ARCHITECT/ENGINEER:	REVISION LEVEL: R2
CONTRACTOR:	SCALE: As Noted
SUBJECT: Foundation Layout	DATE: 4/1/25
PROJECT:	CHECKED BY: TLC
	DATE: 4/1/25
	DRAWN BY: NDB



1 FOUNDATION PLAN VIEW

Scale: None



2 FOUNDATION ELEVATION VIEW

Scale: None

- NOTES:**
- FOUNDATIONS SHOWN ARE BASED ON AVERAGE SOIL AND SITE CONDITIONS. FOUNDATIONS MUST BE IN ACCORDANCE WITH ALL LOCAL CODES, AND SHOULD BE REVIEWED BY A LOCAL ENGINEER.
 - OPERATOR INPUT POWER CAN BE 115VAC 8AMP OR 230VAC 4.5AMP.