

- * A
- * B
- B+6"
- D
- 6"
- A+6"

2 ELEVATION

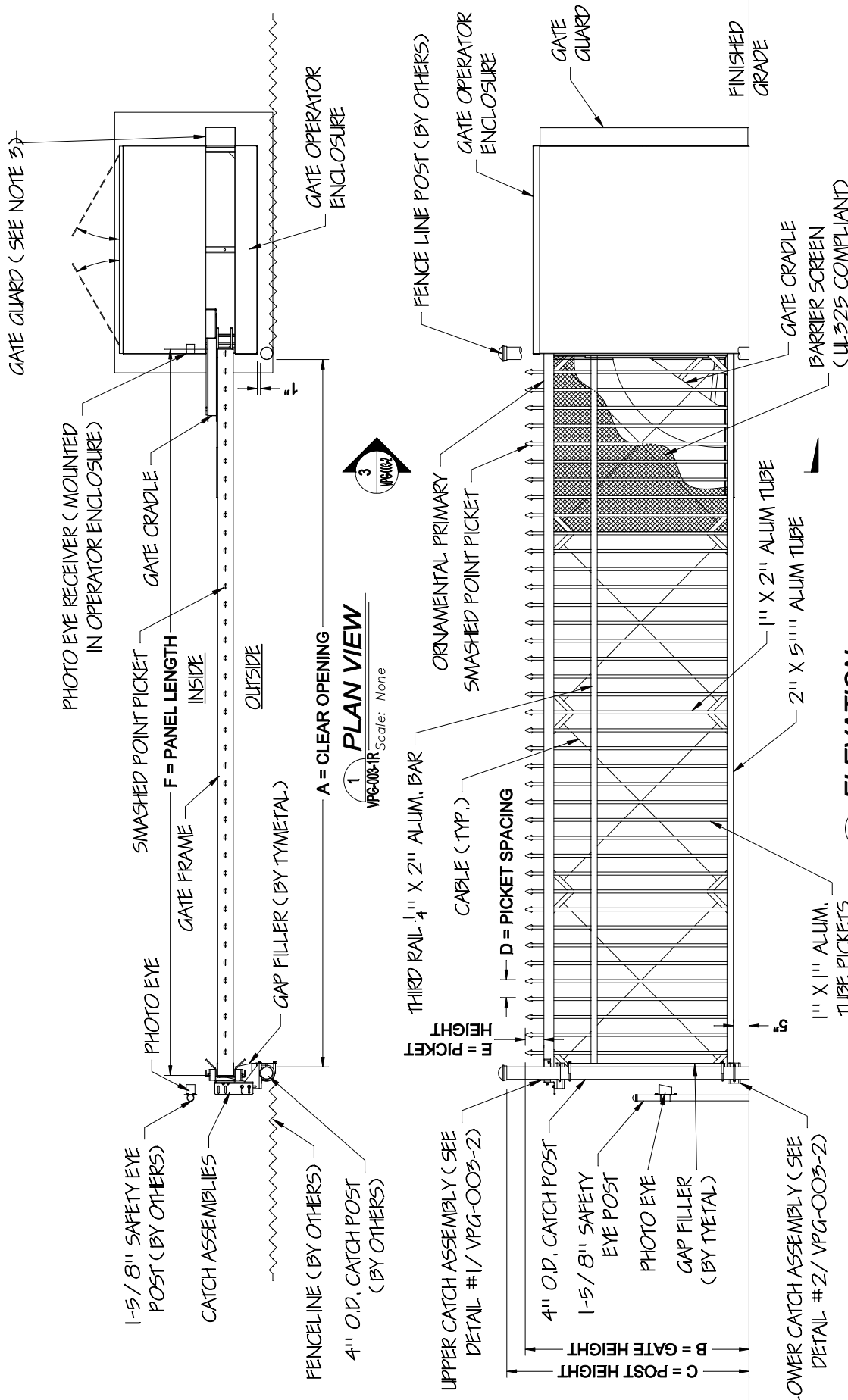
VPG003-1L Scale: None
 - OUTSIDE LOOKING IN -

* THE VERTICAL PIVOT GATE IS A COUNTERBALANCED SYSTEM. MAXIMUM CLEAR OPENING WIDTH INCREASES AS HEIGHT DECREASES. CONTACT MANUFACTURER TO VERIFY SIZE.

LEFT to Open

NOTES:

1. GATE IS POWDER COATED STOCK STANDARD BLACK.
2. OPERATOR ENCLOSURE IS PAINTED STOCK STANDARD BLACK.
3. GATE GUARDS ARE INCLUDED WITH GATE PANELS UP TO 7 FEET TALL. FOR GATES EXCEEDING 7 FEET IN HEIGHT, THE OPERATOR MUST BE ENCLOSED (BY OTHERS) TO PREVENT ENTRAPMENT BY THE GATE WHEN OPEN.



RIGHT to Open

* THE VERTICAL PIVOT GATE IS A COUNTERBALANCED SYSTEM. MAXIMUM CLEAR OPENING WIDTH INCREASES AS HEIGHT DECREASES. CONTACT MANUFACTURER TO VERIFY SIZE.

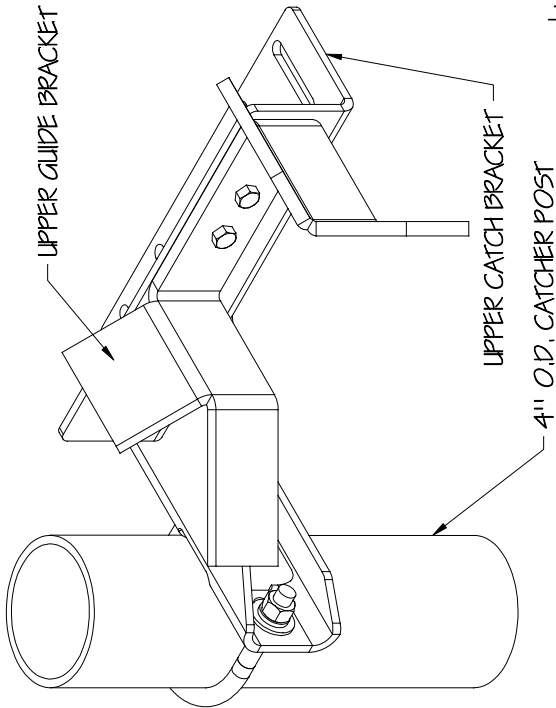
- NOTES:**
- GATE IS POWDER COATED STOCK STANDARD BLACK.
 - OPERATOR ENCLOSURE IS PAINTED STOCK STANDARD BLACK.
 - GATE GUARDS ARE INCLUDED WITH GATE PANELS UP TO 7 FEET TALL. FOR GATES EXCEEDING 7 FEET IN HEIGHT, THE OPERATOR MUST BE ENCLOSED (BY OTHERS) TO PREVENT ENTRAPMENT BY THE GATE WHEN OPEN.

- * A
- * B
- B+6"
- D
- 6"
- A+6"

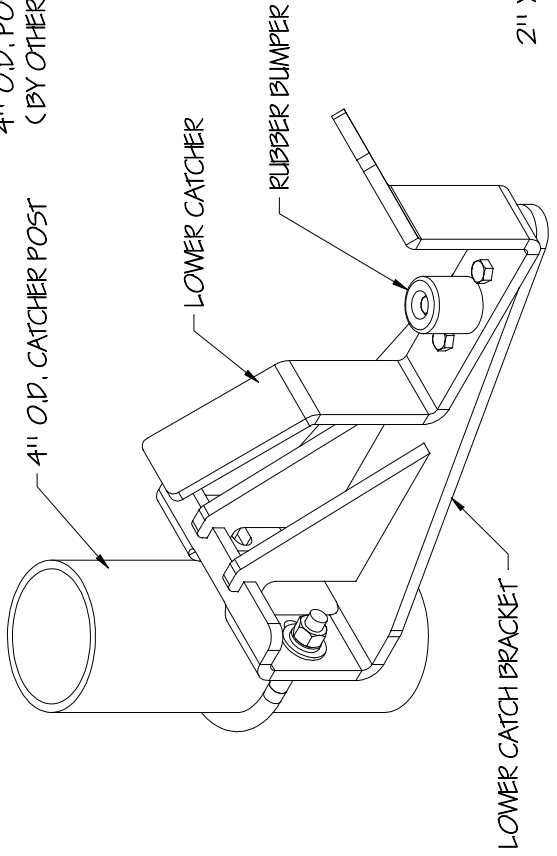
VPG-003-2
 DRAWING NUMBER:
 2 of 4
 SHEET NUMBER:
 Tmetal Vertical Pivot VPG000
 DIRECTORY\CAD FILE:

ARCHITECT/ENGINEER:	REVISION LEVEL: R2
CONTRACTOR:	As Noted
SUBJECT: Extended Picket Vertical Pivot Gate Details	SCALE: As Noted
PROJECT:	DATE: 3/27/25
	CHECKED BY: TJC
	DATE: 3/27/25
	DRAWN BY: NDB

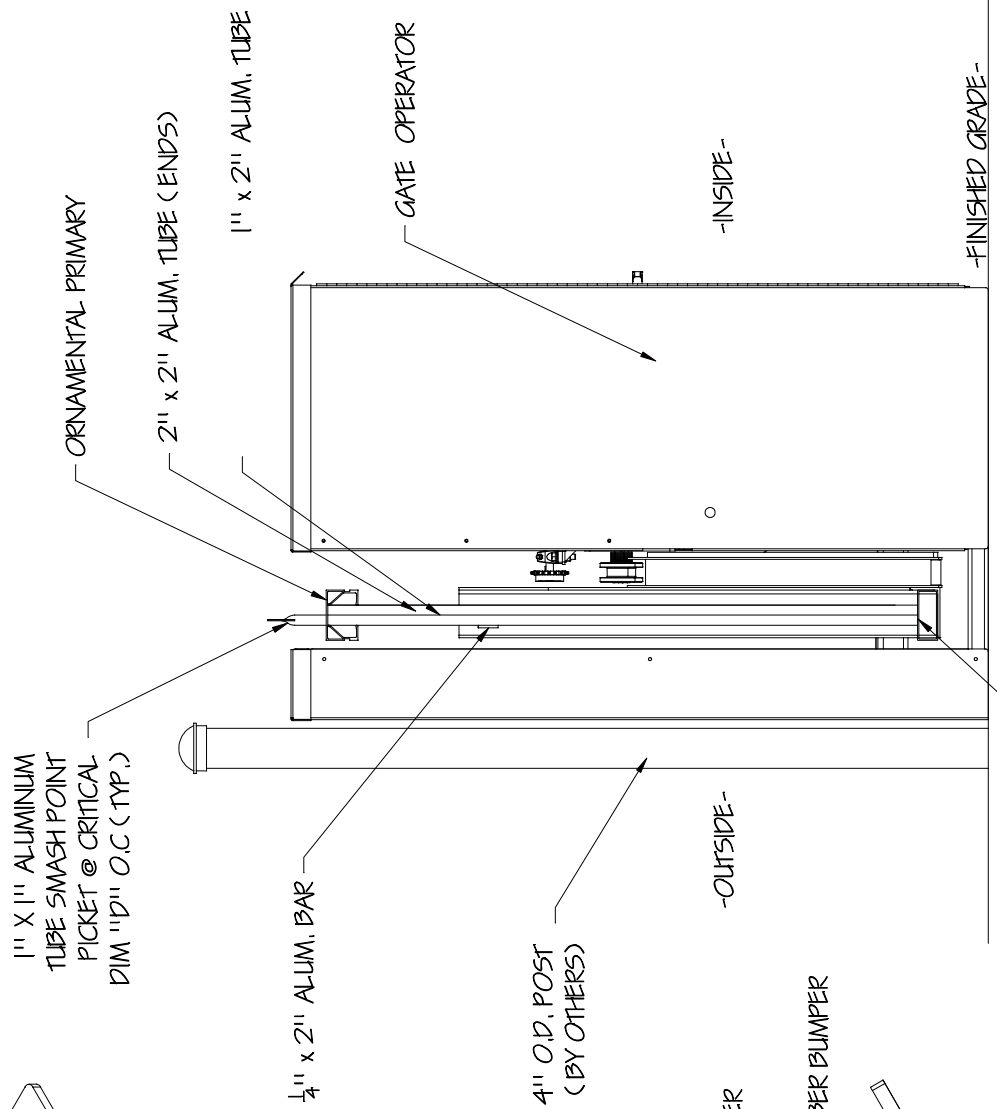
Tymetal
 SECURITY GATES & PERIMETER SOLUTIONS
 678 WILBUR AVENUE GREENWICH, N.Y. 12834
 PH: (800) 328-4283 - FX: (518) 692-9404



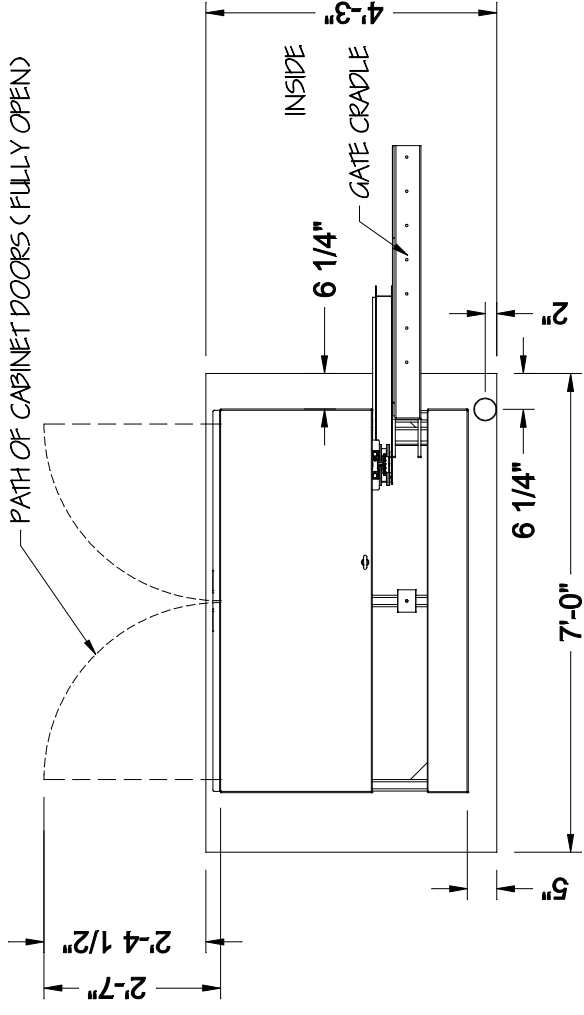
1 UPPER CATCH ASSEMBLY
 VPG-003-2 Scale: None



2 LOWER CATCH ASSEMBLY
 VPG-003-2 Scale: None

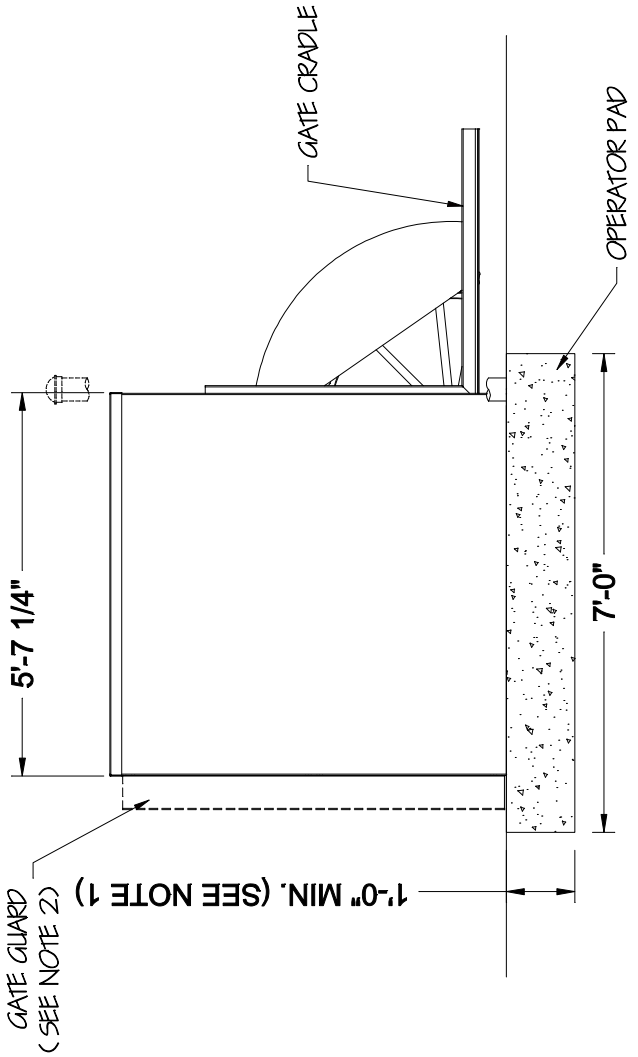


3 SECTION VIEW
 VPG-003-2 Scale: None



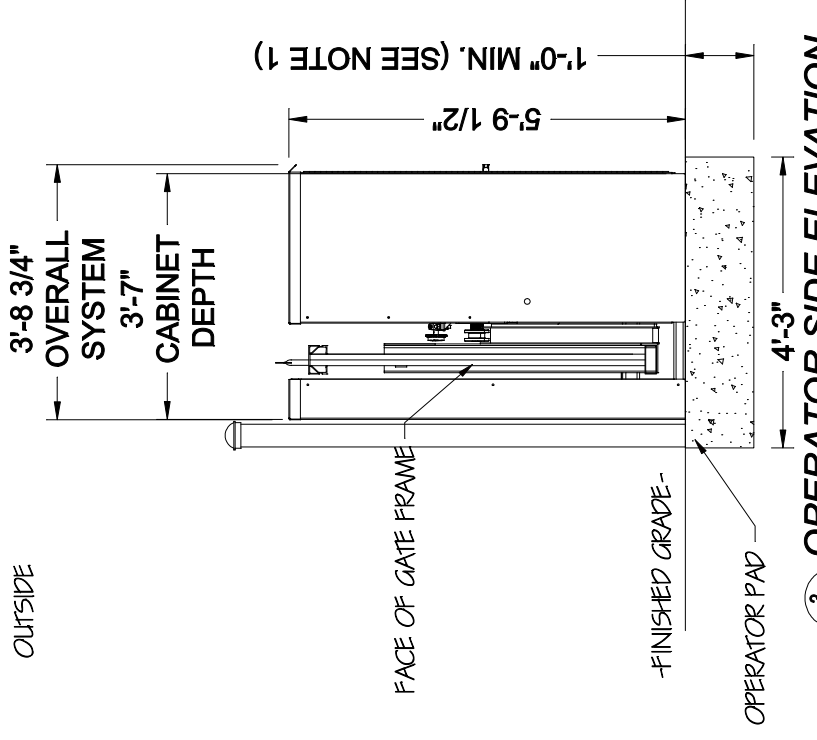
1 OPERATOR PAD LAYOUT PLAN

Scale: None -LEFT TO OPEN SHOWN-



2 OPERATOR FRONT ELEVATION

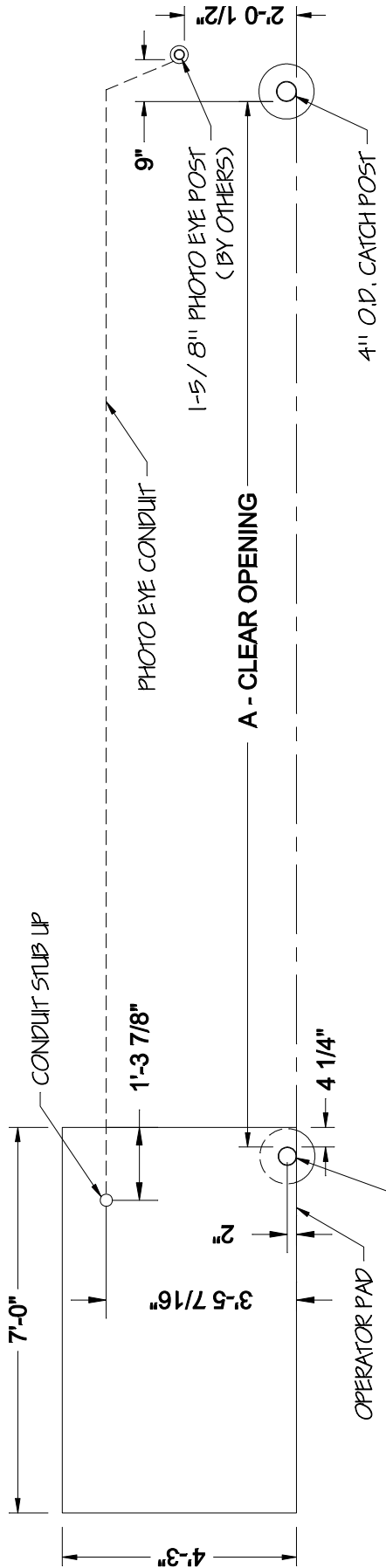
Scale: None



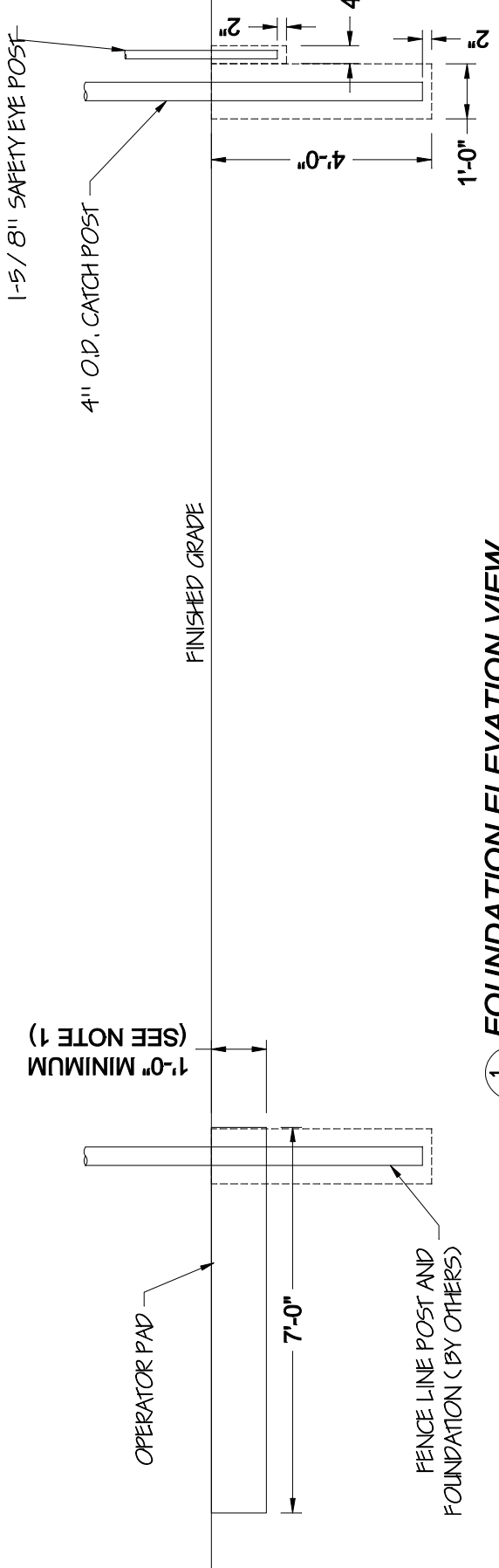
3 OPERATOR SIDE ELEVATION

Scale: None

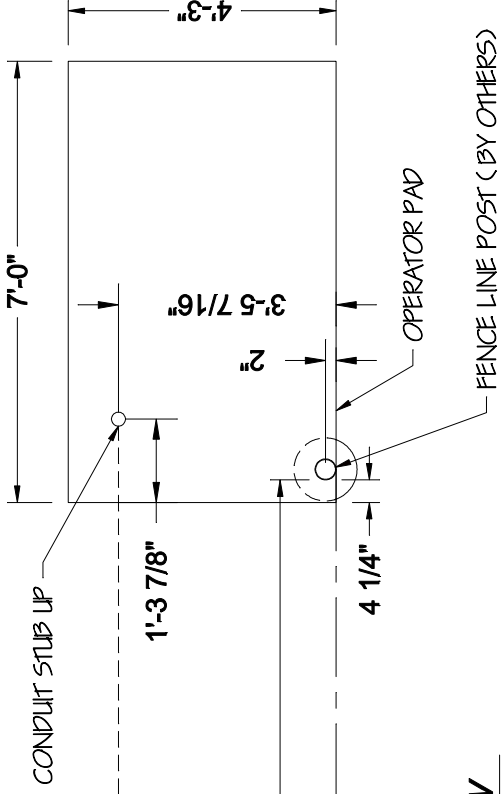
- NOTES:**
- OPERATOR PAD DEPTH TO BE IN ACCORDANCE WITH ALL LOCAL CODES AND SOIL CONDITIONS.
 - GATE GUARDS ARE INCLUDED WITH GATE PANELS UP TO 7 FEET TALL. FOR GATES EXCEEDING 7 FEET IN HEIGHT, THE OPERATOR MUST BE ENCLOSED (BY OTHERS) TO PREVENT ENTRAPMENT BY THE GATE WHEN OPEN.



LEFT to Open



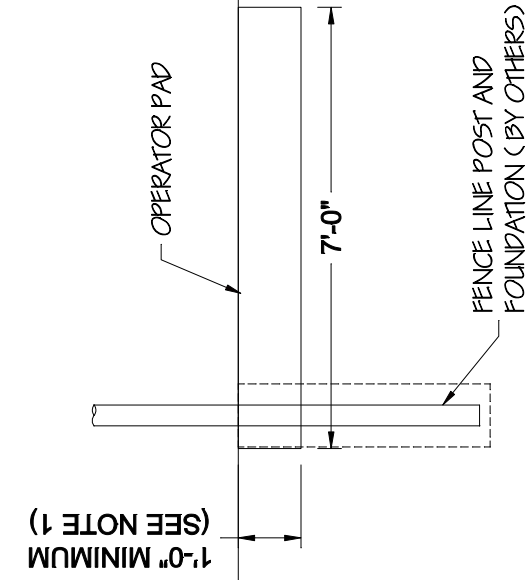
- NOTES:**
- FOUNDATIONS SHOWN ARE BASED ON AVERAGE SOIL AND SITE CONDITIONS. FOUNDATIONS MUST BE IN ACCORDANCE WITH ALL LOCAL CODES, AND SHOULD BE REVIEWED BY A LOCAL ENGINEER.
 - OPERATOR INPUT POWER CAN BE 115VAC 8AMP OR 230VAC 4.5AMP.



1 FOUNDATION PLAN VIEW

Scale: None

RIGHT to Open



1 FOUNDATION ELEVATION VIEW

Scale: None

- NOTES:
- FOUNDATIONS SHOWN ARE BASED ON AVERAGE SOIL AND SITE CONDITIONS. FOUNDATIONS MUST BE IN ACCORDANCE WITH ALL LOCAL CODES, AND SHOULD BE REVIEWED BY A LOCAL ENGINEER.
 - OPERATOR INPUT POWER CAN BE 115VAC 8AMP OR 230VAC 4.5AMP.