

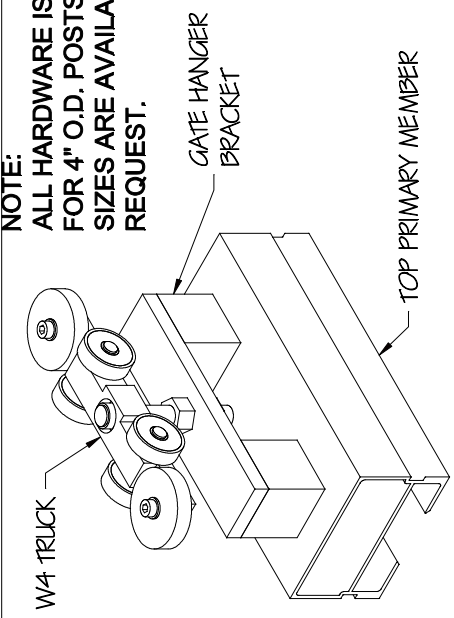
RIGHT TO OPEN

- NOTES:**
- GATE FRAME SHALL CONFORM TO ASTM 1184 FOR A TYPE I CLASS II UNIT.
 - GATE IS MILL FINISH.
 - DEPENDING ON CLEAR OPENING WIDTH AN APPROPRIATE "W" BEAM WILL BE USED. FOR CLEAR OPENING WIDTHS GREATER THAN 40' (UP TO 53') AND ENGINEERED BEAM WILL BE UTILIZED.

CRITICAL DIMENSION CHART

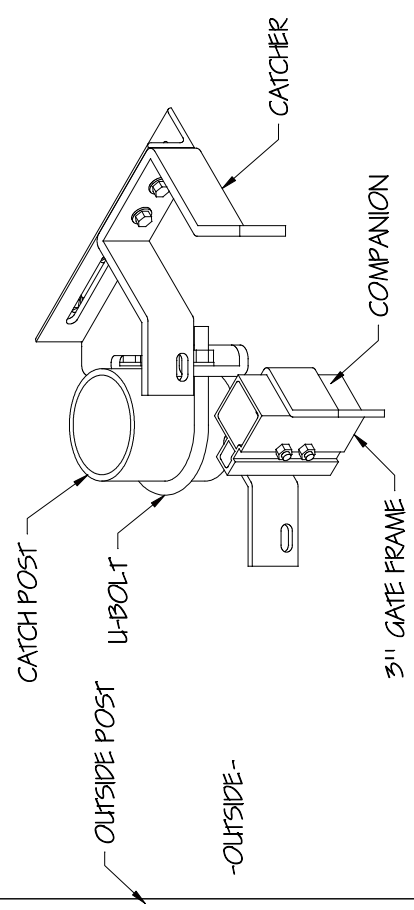
	F	NOMINAL GATE HEIGHT
A	F	NOMINAL GATE HEIGHT
B	G	CLEAR OPENING HEIGHT
C	H	HEIGHT TO BOTTOM OF BEAM
D	J	POST HEIGHT
E	E	GATE FRAME HEIGHT

NOTE:
ALL HARDWARE IS PROVIDED
FOR 4" O.D. POSTS. OTHER
SIZES ARE AVAILABLE UPON
REQUEST.



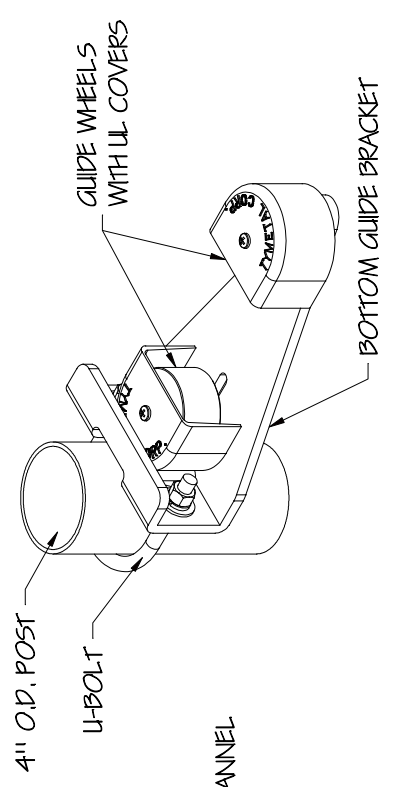
2 TRUCK AND HANGER ASSEMBLY

GS2112 Scale: None



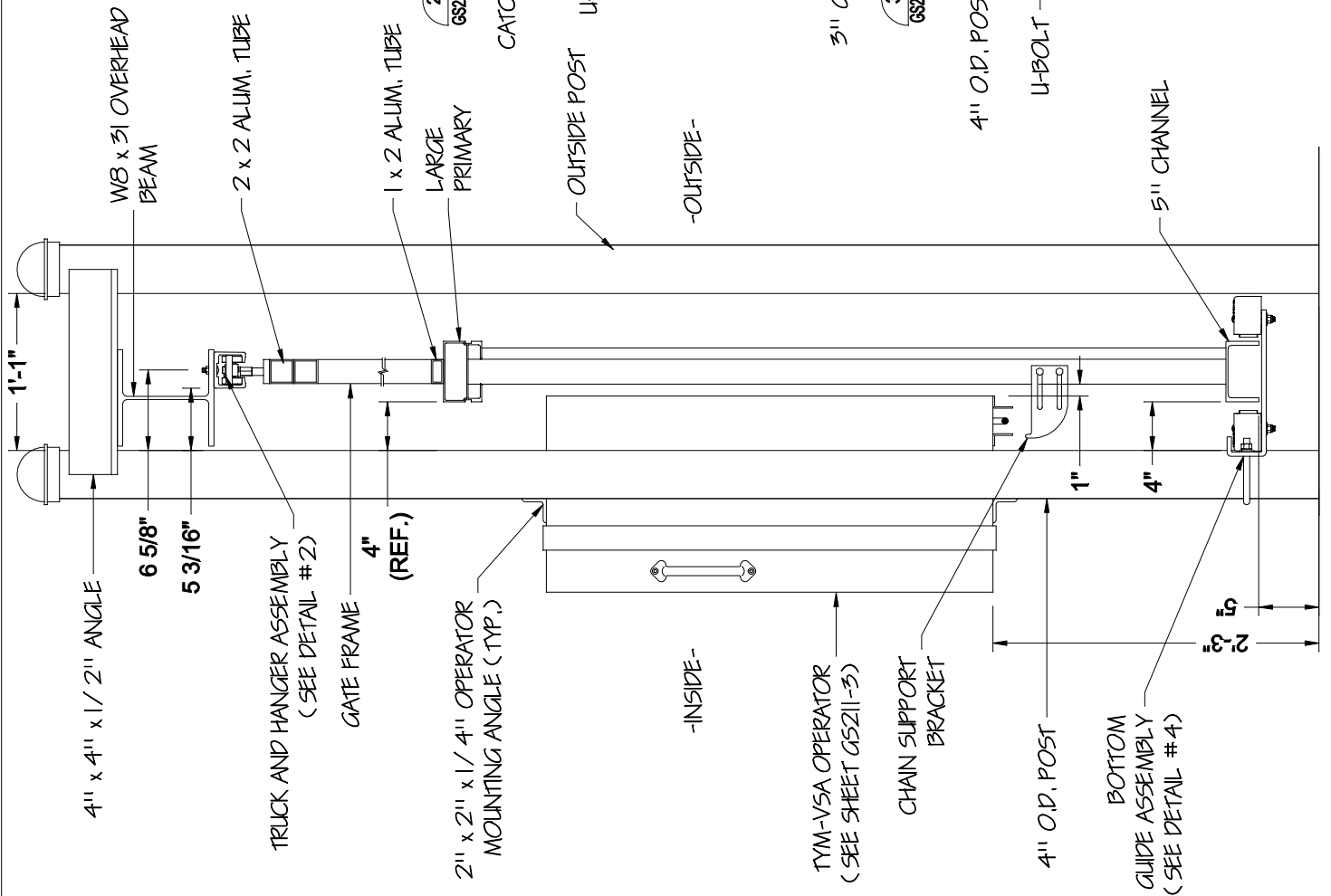
3 CATCH ASSEMBLY

GS2112 Scale: None



4 BOTTOM GUIDE ASSEMBLY

GS2112 Scale: None



1 ASSEMBLY SECTION

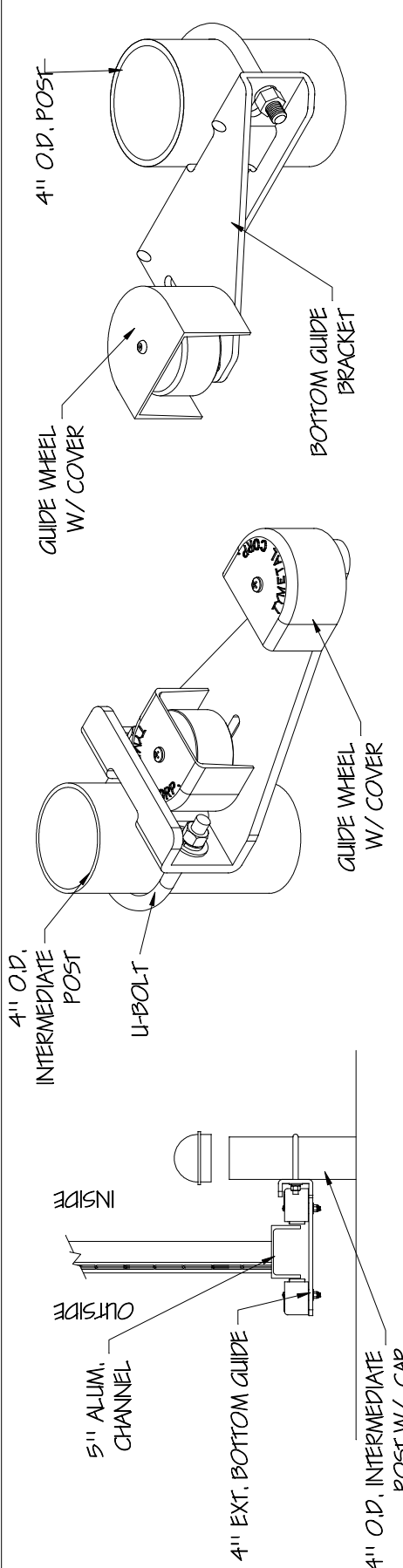
GS2112 Scale: None

GS211-3
DRAWING NUMBER:
3 of 4
SHEET NUMBER:
THRESH HOLD AND LOWER METAL GS211-3
DIRECTOR/CAD FILE:

PROJECT:
SUBJECT: High Wind Package Details
CONTRACTOR:
ARCHITECT/ENGINEER:

DRAWN BY: MAM
DATE: 4/6/22
CHECKED BY: BGG
DATE: 4/6/22
SCALE: As Noted
REVISION LEVEL: R1

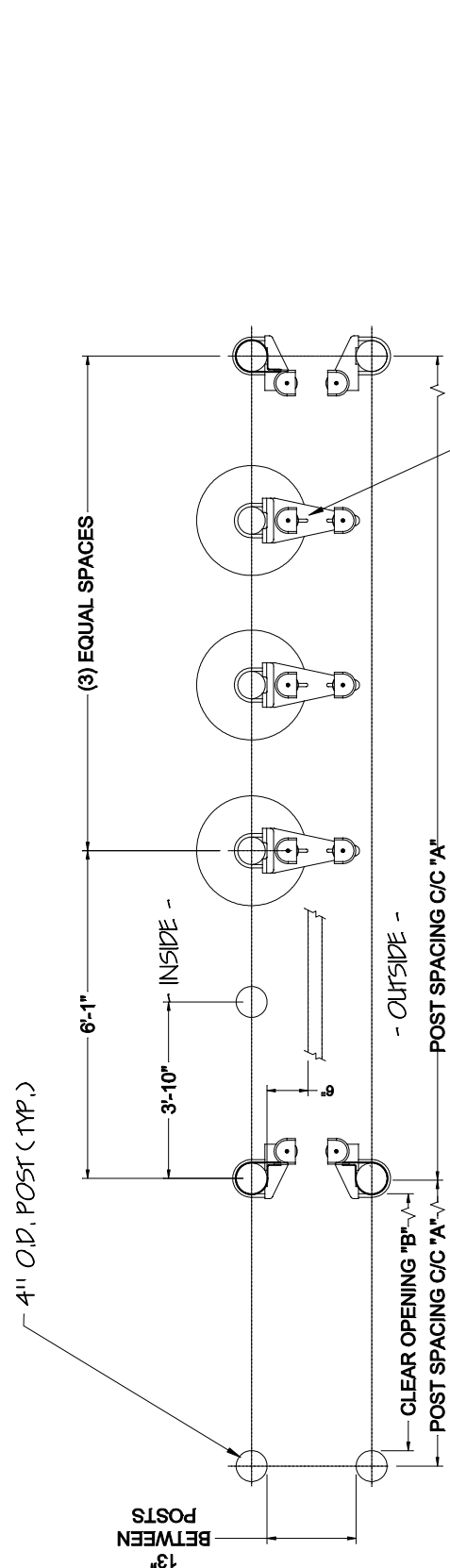
TYMETAL
SECURITY GATES & PERIMETER SOLUTIONS
678 WILBUR AVENUE GREENWICH, N.Y. 12834
PH: (800) 328-4283 - FX: (518) 692-9404



1 **4\"/>**

2 **INTERMEDIATE POST BOTTOM GUIDE ASSEMBLY**
Scale: None

3 **BOTTOM GUIDE ASSEMBLY**
Scale: None



4 **POST AND FOOTING LAYOUT**
Scale: None
RIGHT HAND SHOWN; LEFT HAND OPPOSITE

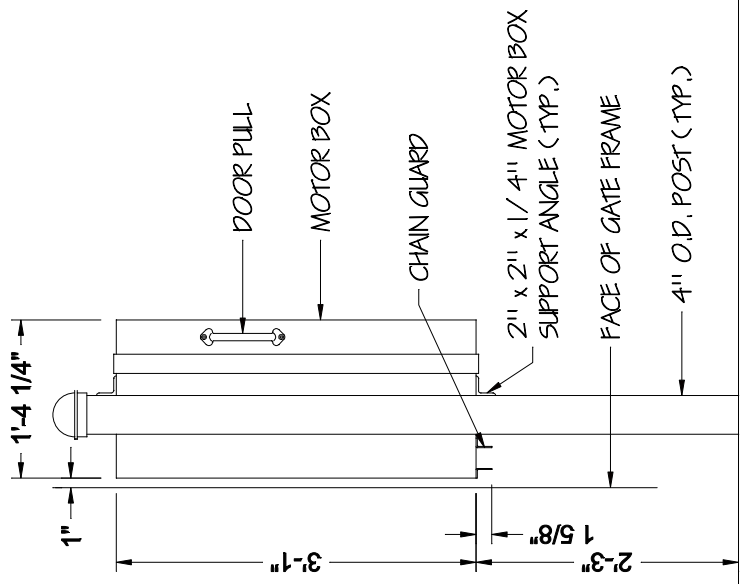
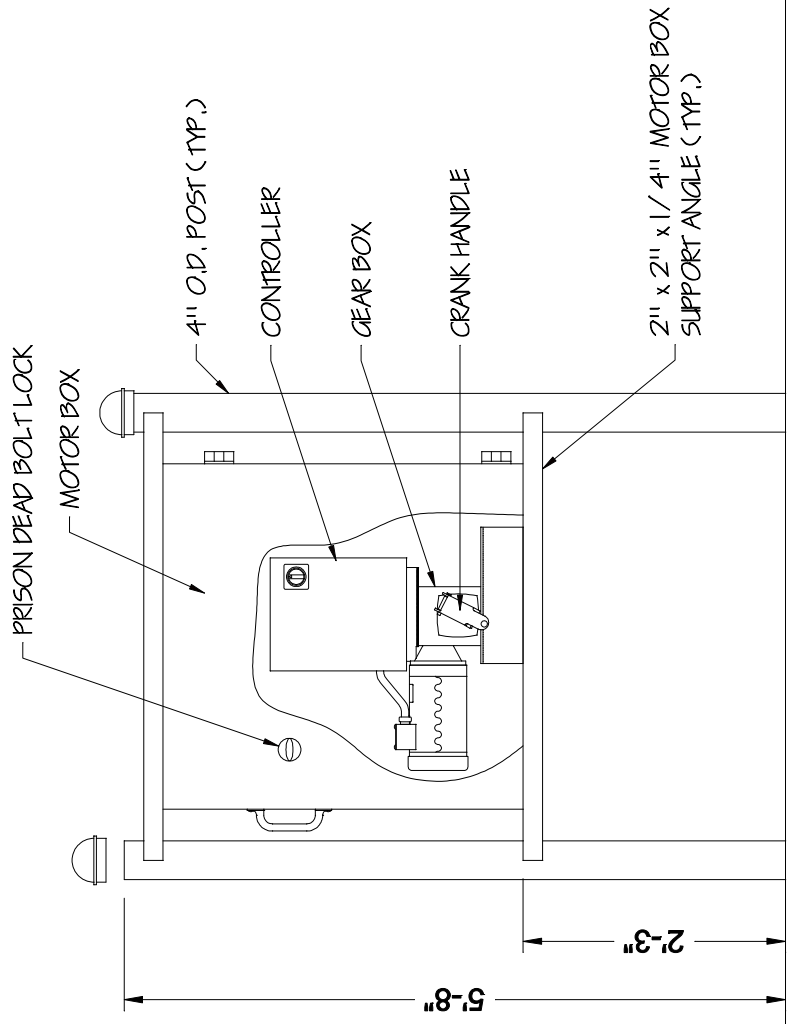
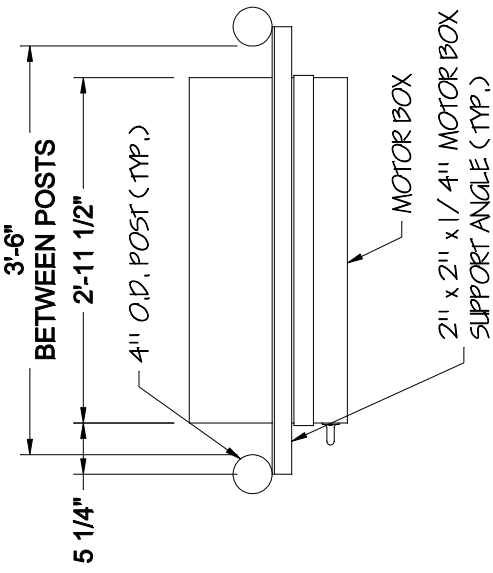
NOTES:
1. ALL HARDWARE IS PROVIDED FOR 6 5/8\"/>

GS2114
 DRAWING NUMBER:
4 of 4
 SHEET NUMBER:
 TYPICAL MOTOR OPERATOR (SEE DRAWING GS2114)
 DIRECTOR\CAD FILE:

PROJECT:
 SUBJECT:
TYM-VSA Gate Operator
 CONTRACTOR:
 ARCHITECT/ENGINEER:

DRAWN BY:
MAM
 DATE:
4/6/22
 CHECKED BY:
BGG
 DATE:
4/6/22
 SCALE:
As Noted
 REVISION LEVEL:
R1

TYMETAL
 SECURITY GATES & PERIMETER SOLUTIONS
 678 WILBUR AVENUE GREENWICH, N.Y. 12834
 PH: (800) 328-4283 - FX: (518) 692-9404



3 OPERATOR SIDE ELEVATION
 Scale: None

2 OPERATOR FRONT ELEVATION
 Scale: None

1 OPERATOR PLAN
 Scale: None