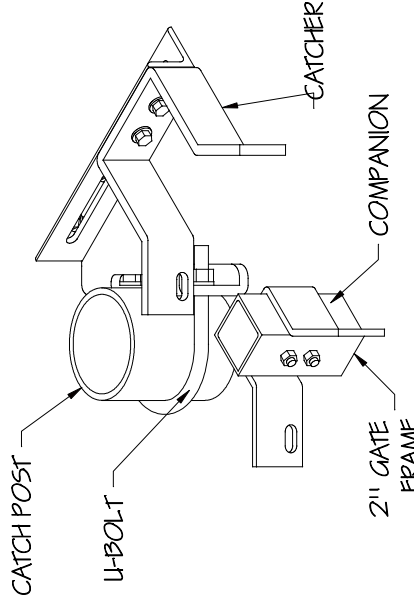
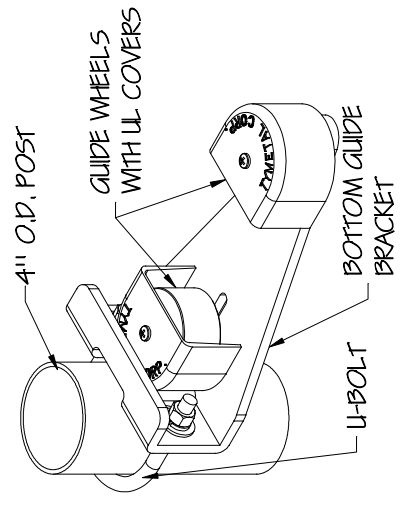


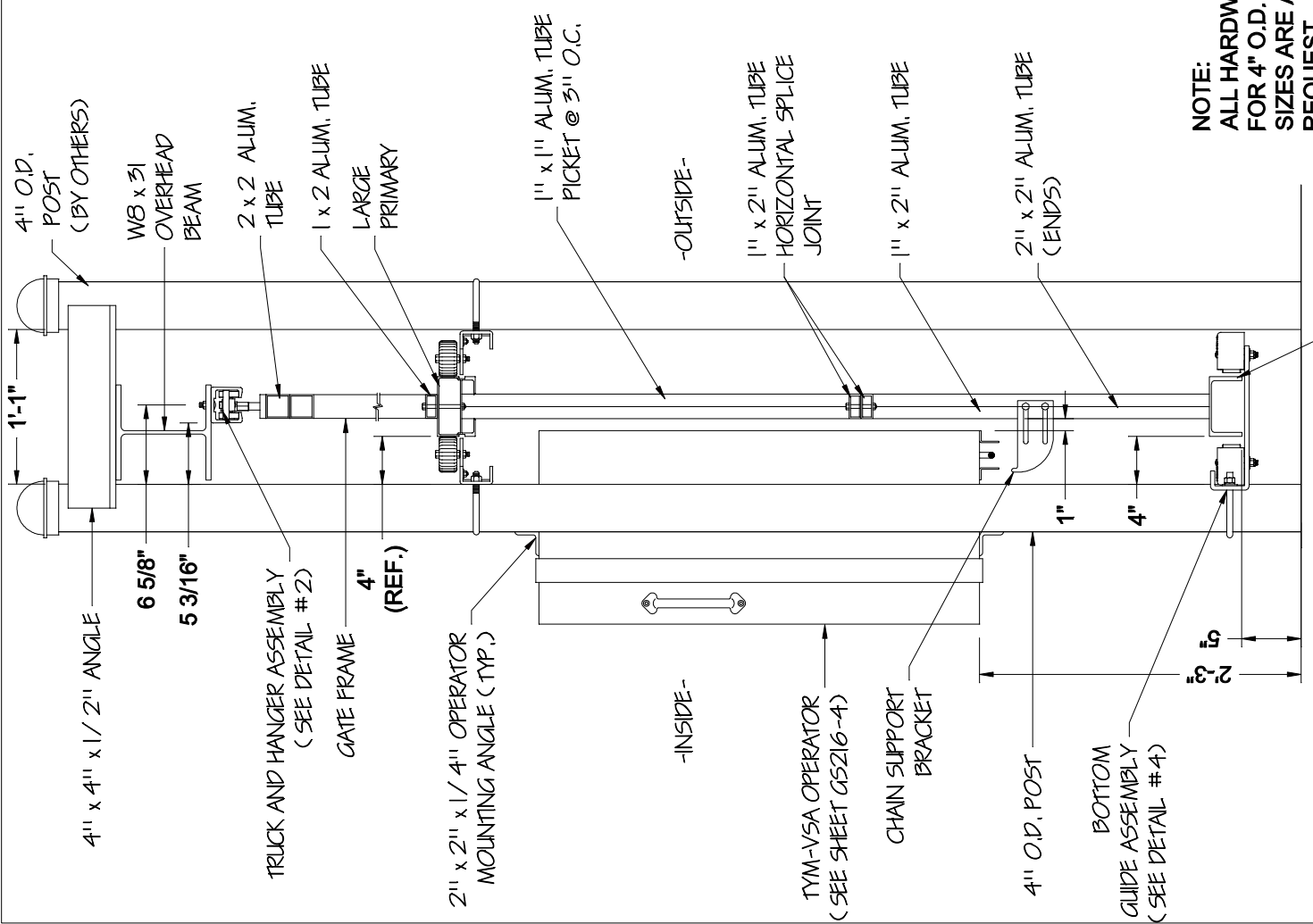
2 TRUCK AND HANGER ASSEMBLY
Scale: None



3 CATCH ASSEMBLY
Scale: None

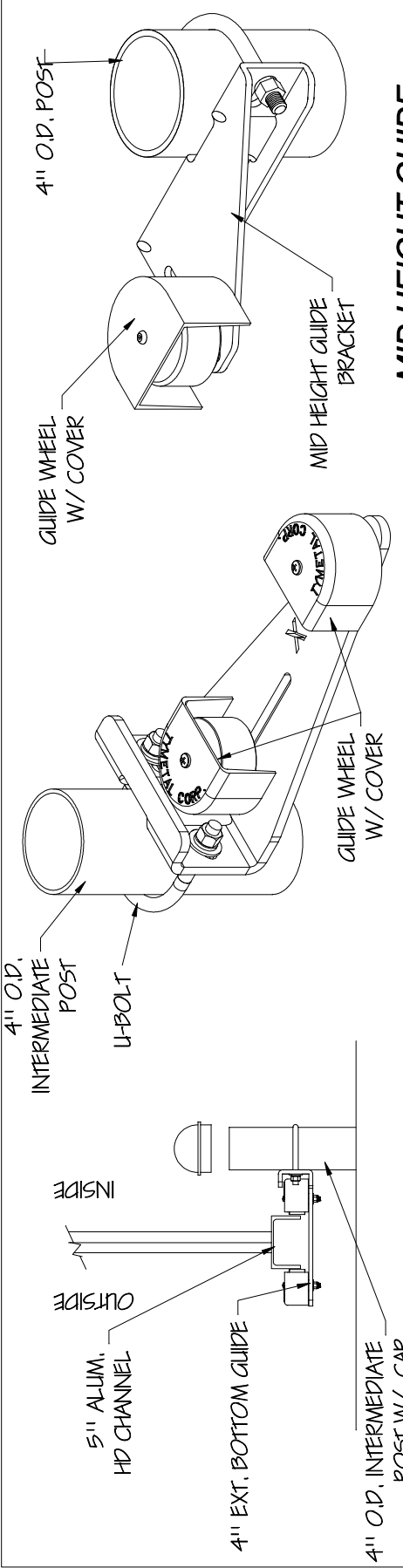


4 BOTTOM GUIDE ASSEMBLY
Scale: None



1 ASSEMBLY SECTION
Scale: None

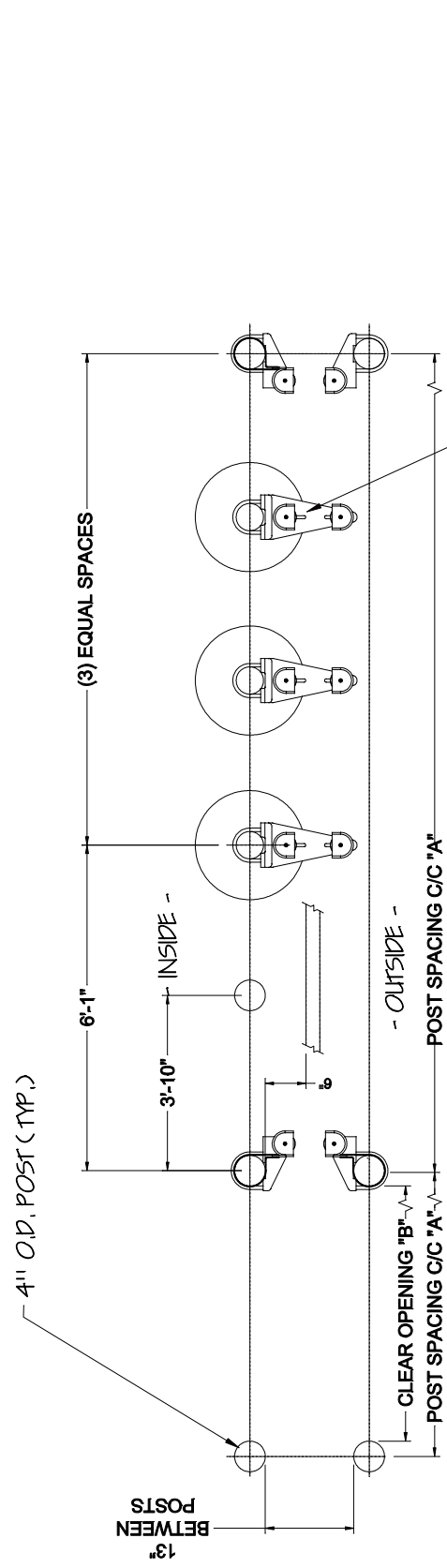
NOTE:
ALL HARDWARE IS PROVIDED
FOR 4" O.D. POSTS, OTHER
SIZES ARE AVAILABLE UPON
REQUEST.



1 4\"/>

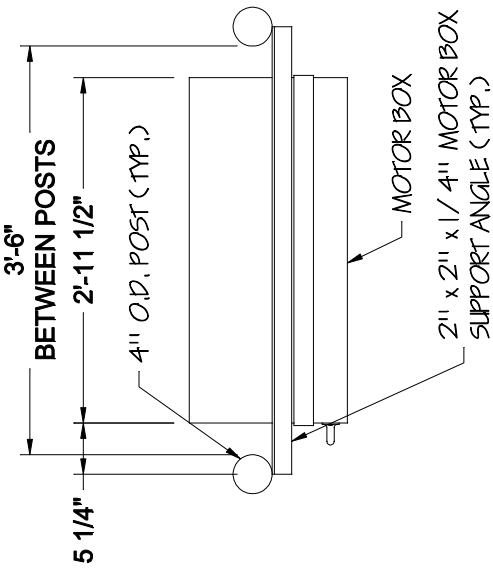
2 INTERMEDIATE POST BOTTOM GUIDE ASSEMBLY
Scale: None

3 MID HEIGHT GUIDE ASSEMBLY
Scale: None

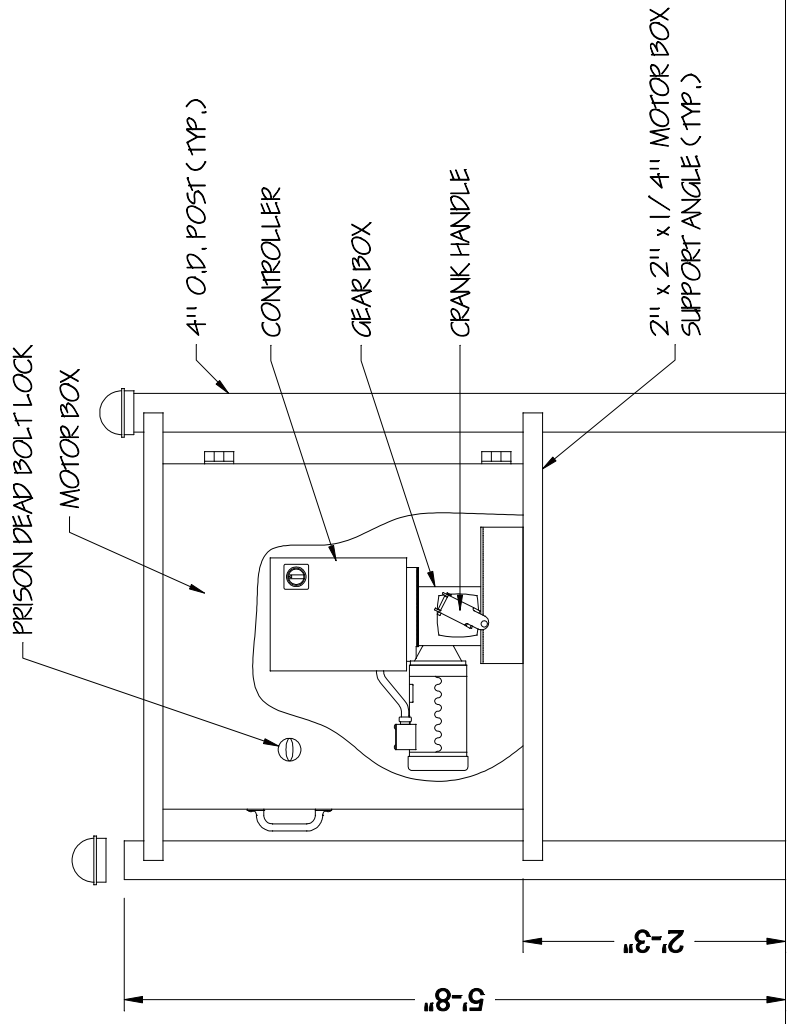


4 POST AND FOOTING LAYOUT
Scale: None
RIGHT HAND SHOWN; LEFT HAND OPPOSITE

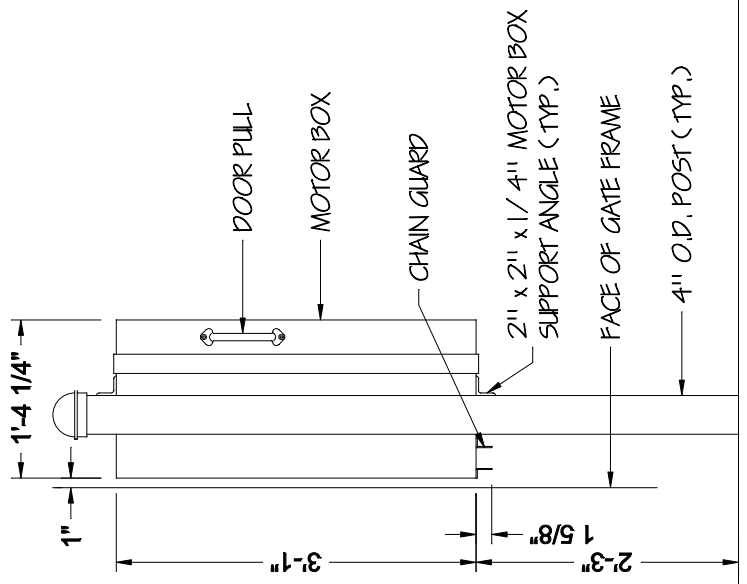
- NOTES:**
1. ALL HARDWARE IS PROVIDED FOR 4" O.D. POSTS AS REQUIRED.
 2. INTERMEDIATE POSTS FOR GUIDE ASSEMBLY TO BE SET AFTER GATE IS HUNG AND ADJUSTED.
 3. FOUNDATIONS MUST BE IN ACCORDANCE WITH ALL LOCAL CODES AND SHOULD BE REVIEWED BY LOCAL ENGINEER.



1 OPERATOR PLAN
 GS2164 Scale: None



2 OPERATOR FRONT ELEVATION
 GS2164 Scale: None



3 OPERATOR SIDE ELEVATION
 GS2164 Scale: None