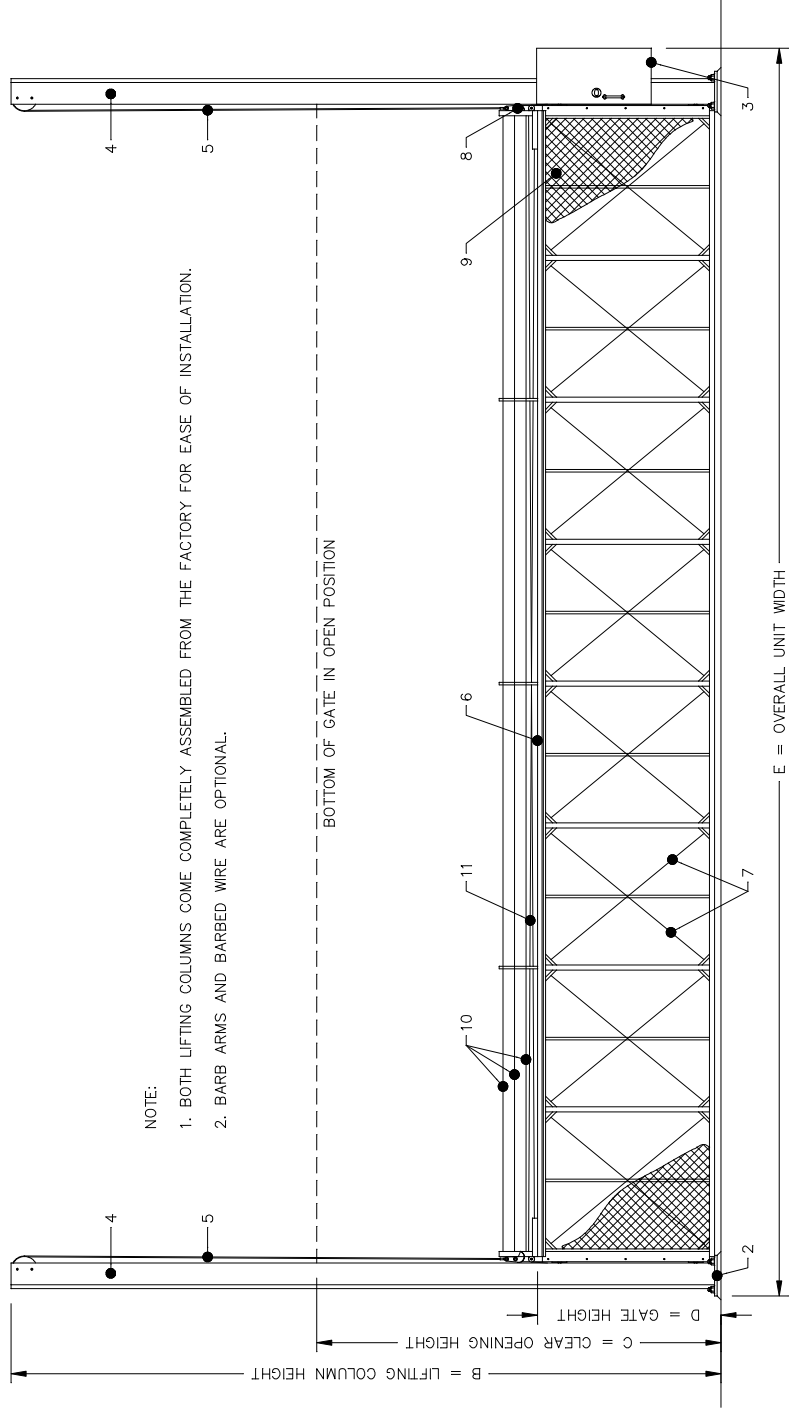


PLAN VIEW
Scale: None

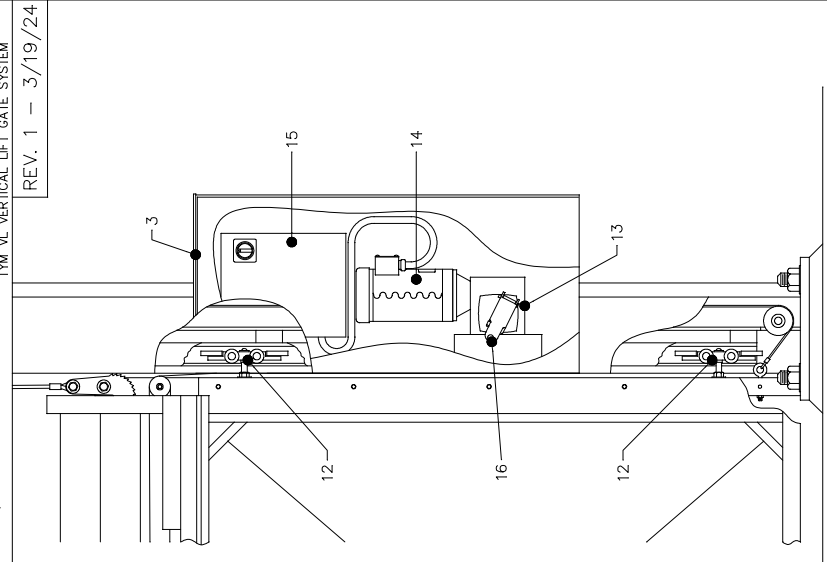
A = CLEAR OPENING WIDTH



ELEVATION
Scale: None

E = OVERALL UNIT WIDTH

NOTE:
1. BOTH LIFTING COLUMNS COME COMPLETELY ASSEMBLED FROM THE FACTORY FOR EASE OF INSTALLATION.
2. BARB ARMS AND BARBED WIRE ARE OPTIONAL.



DRIVE ASSEMBLY
Scale: None

VERTICAL LIFT GATE

CRITICAL DIMENSION CHART		COMPONENT REFERENCES		NOTES:
MARK	DESCRIPTION	FORMULA	MARK	DESCRIPTION
A	CLEAR OPENING	A	9	CONCRETE COLUMN FOOTING PRE-ENGINEERED BY TYMETAL
B	LIFTING COLUMN HEIGHT	C + D + 4'-0"	10	LIFTING COLUMN BASE PLATE
C	CLEAR OPENING HEIGHT	C	11	MOTOR BOX
D	NOMINAL GATE HEIGHT	D	12	W12 x 53 LIFTING COLUMN SEE NOTE #1
E	OVERALL UNIT WIDTH	A + 2'-11"	13	PRIMARY LIFTING CABLE TYP. AT ENDS OF GATE FRAME
			14	TOP PRIMARY MEMBER 3/16" S.S. CABLE
			15	SAFETY CAM
			16	IN FILL MATERIAL
				BARBED WIRE
				ANTI-RACKING CABLES
				W4 TRUCK ASSEMBLY
				GEAR BOX
				MOTOR
				CONTROLLER
				CRANK HANDLE

AS REQUIRED BY OWNER
SEE NOTE #2
2 REQUIRED
4 REQUIRED
FOR MANUAL OPERATION