
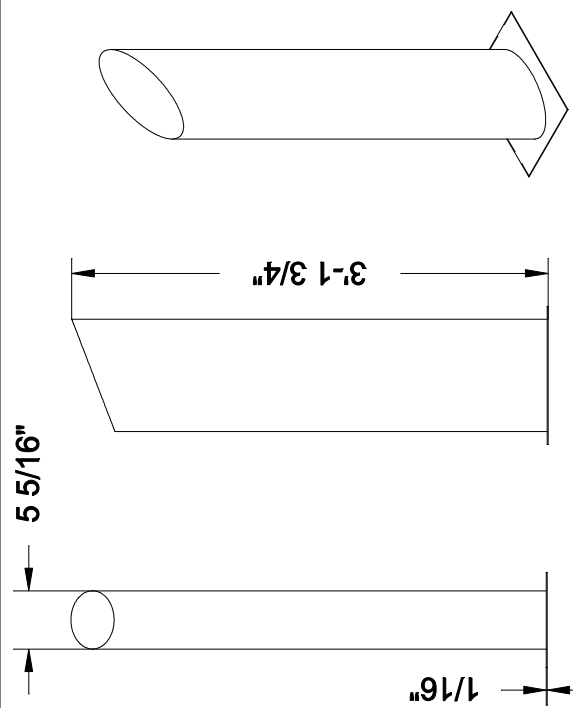
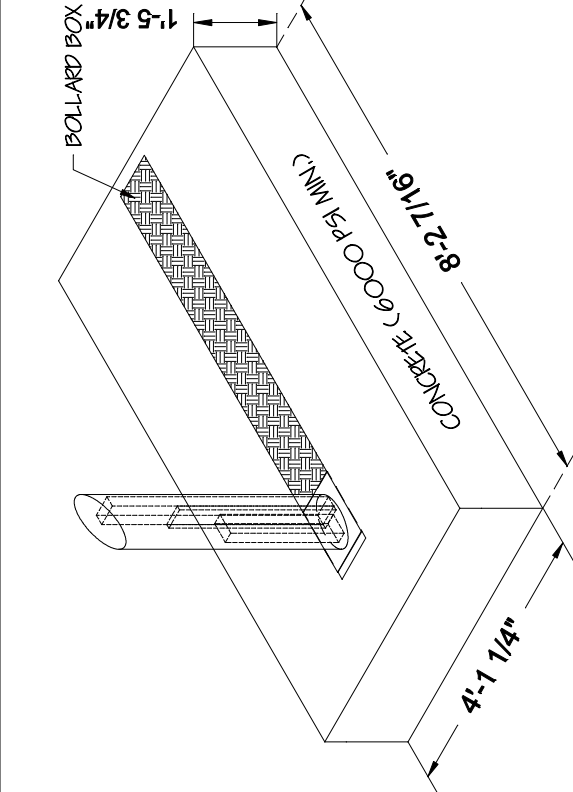
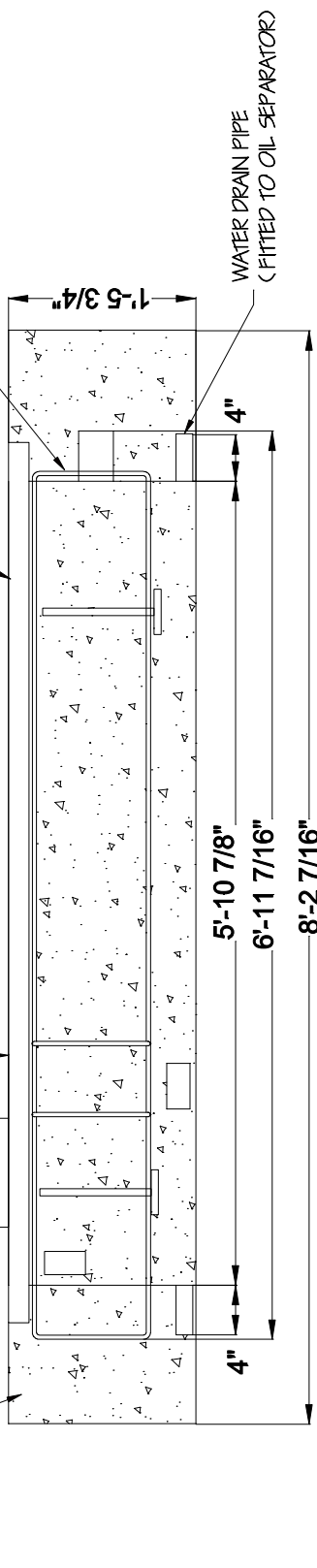
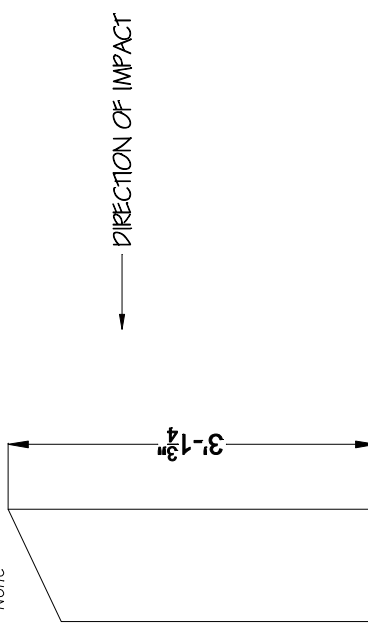


DRAWN BY: NJD DATE: 3/6/18 CHECKED BY: BGG SCALE: As Noted REVISION LEVEL: R1		 <p>678 WILBUR AVENUE GREENWICH, N.Y. 12834 PH: (800) 328-4283 - FX: (518) 692-9404 www.tymetal.com</p>
PROJECT: _____ SUBJECT: Truckstopper 6-Rising Bollard 30 MPH Bollard CONTRACTOR: _____ ARCHITECT/ENGINEER: _____		
DIRECTOR/CAD FILE: TYM-TS001RB001 R1 SHEET NUMBER: 1 of 1 DRAWING NUMBER: TYM-TS001RB001-1		



1 COVER DETAILS
 Scale: None



2 BOLLARD BOX DETAIL
 Scale: None

- NOTES:
1. COPY AND DESIGN RIGHT BELONG TO SAFETYFLEX.
 2. TSB-TRUCK EXCEEDS REQUIREMENTS FOR ASTM F2656-07 M30 (SIMILAR TO U.S. DOS K4).
 3. USE 6000 PSI CONCRETE FOR BOLLARD FOOTING.
 4. WHEN INSTALLING, WATER DRAIN PIPES TO BE FITTED TO OIL SEPARATOR AND TO CONNECT TO LOCAL INFRASTRUCTURE PER CUSTOMER REQUIREMENT.