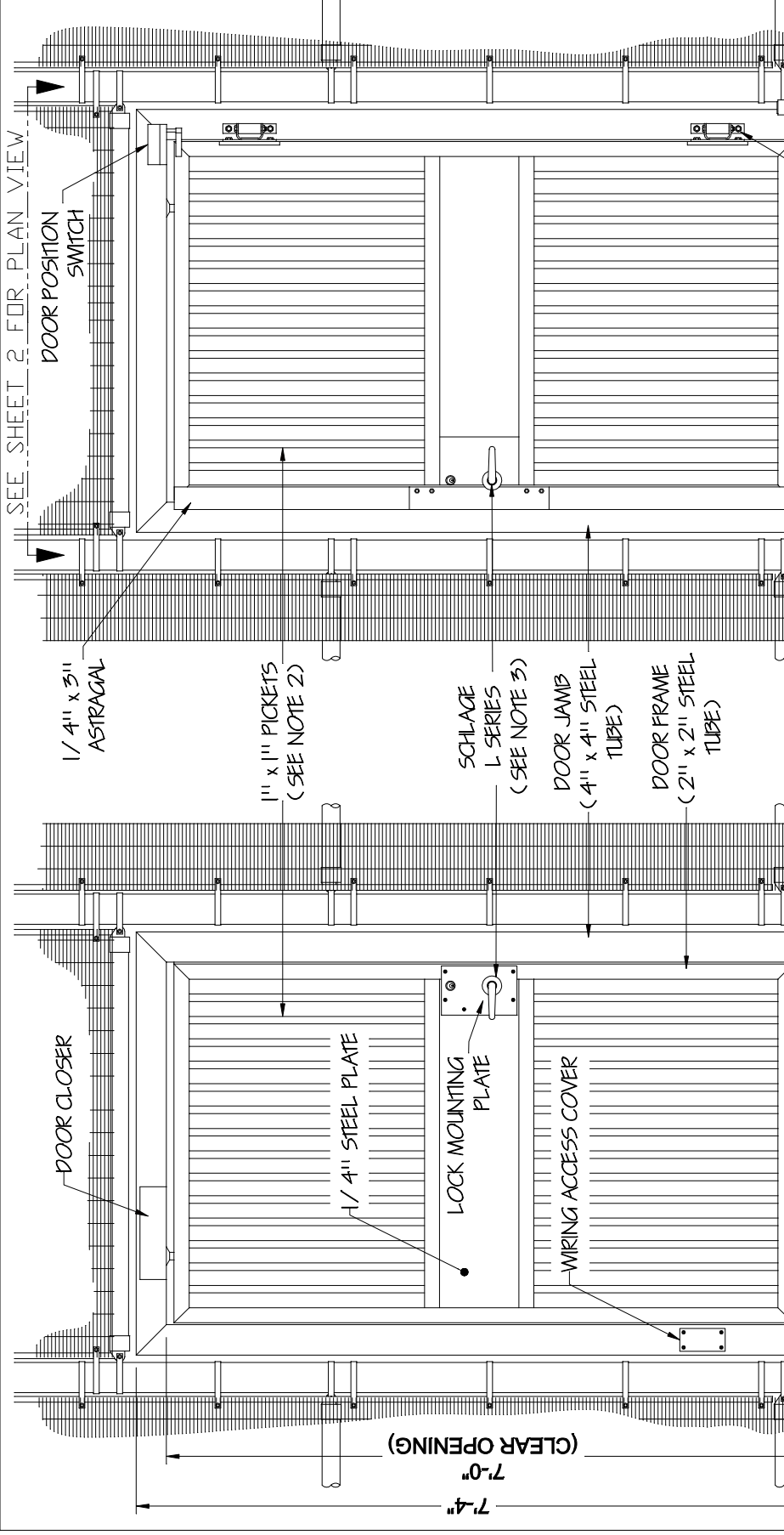


|                     |  |
|---------------------|--|
| DIRECTOR/CAD FILE:  | PROJECT:   |
| SHEET NUMBER:       | SUBJECT:   |
| 1 of 2              | 2150 Pedestrian Swing Gate (4'-0" x 7'-0" Opening) |
| DRAWING NUMBER:     | CONTRACTOR:  |
| TF124-1             |  |
| ARCHITECT/ENGINEER: | REVISION LEVEL:                                    |
|                     | As Noted   |
|                     | R0   |

|             |          |
|-------------|----------|
| DRAWN BY:   | DATE:    |
| MNS         | 10/15/15 |
| CHECKED BY: | DATE:    |
| BGG         | 10/15/15 |
| SCALE:      |          |
|             |          |

**TYMETAL**  
CORP  
www.tymetal.com  
678 WILBUR AVENUE  
GREENWICH, N.Y. 12834  
PH: (800) 328-4283 - FX: (518) 692-9404



SEE SHEET 2 FOR PLAN VIEW

DOOR POSITION SWITCH

1/4" x 3" ASTRAGAL

1" x 1" PICKETS (SEE NOTE 2)

SCHLAGE L SERIES (SEE NOTE 3)

DOOR JAMB (4" x 4" STEEL TUBE)

DOOR FRAME (2" x 2" STEEL TUBE)

CONCRETE FOOTING (BY OTHERS)

C3 x 4.1 CHANNEL

TYMETAL HEAVY DUTY BOLT-ON HINGE (2 TYP.)

EMBEDDED DOOR STOP

DOOR CLOSER

1/4" STEEL PLATE

LOCK MOUNTING PLATE

WIRING ACCESS COVER

(CLEAR OPENING)

7'-0"

7'-4"

4'-0"

3'-0"

1'-0"

1'-3"

4'-10"

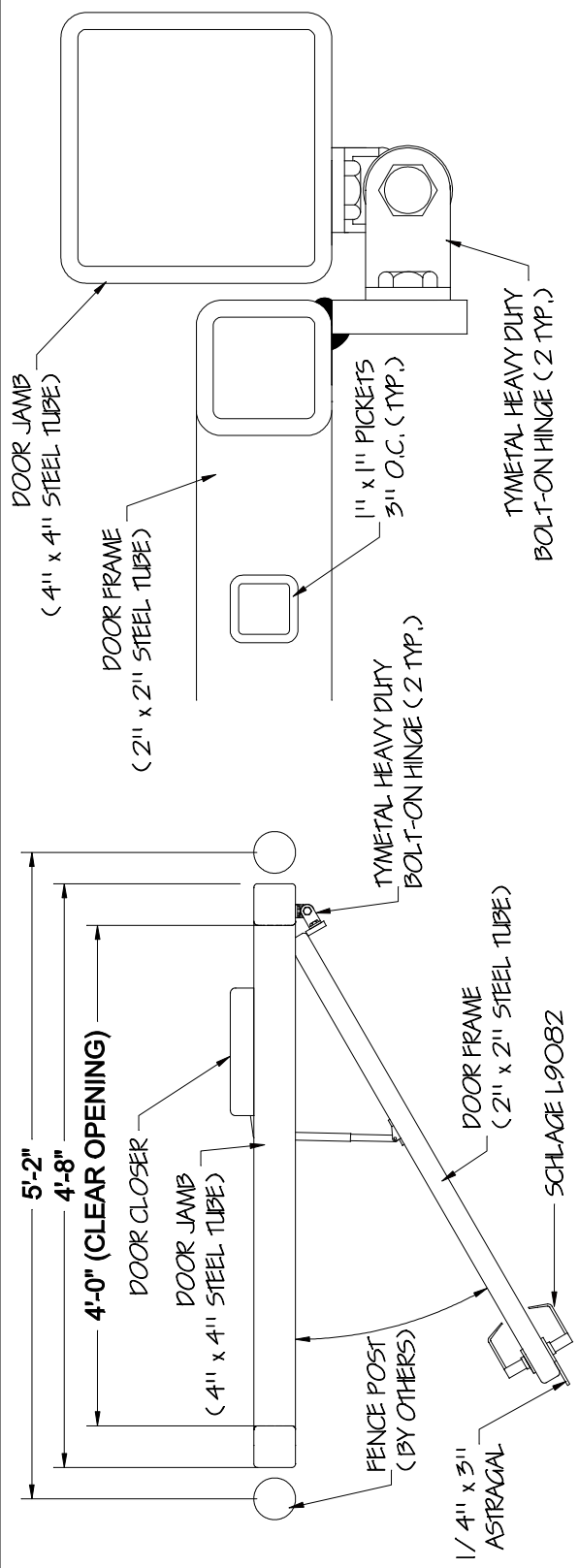
4'-0" (CLEAR OPENING)

6'-6"

**UNSECURE SIDE ELEVATION**  
TF124-1 Scale: None

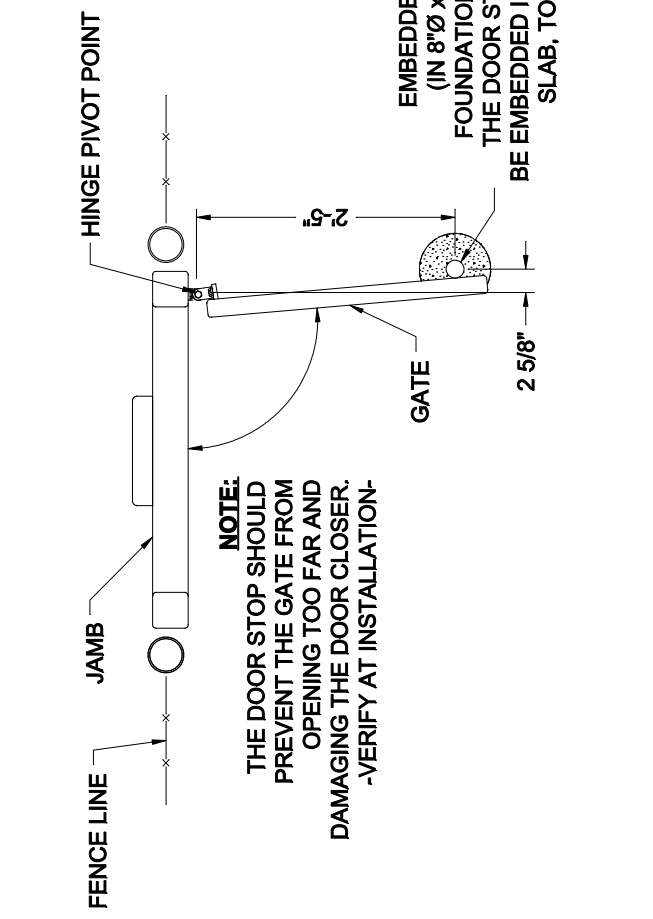
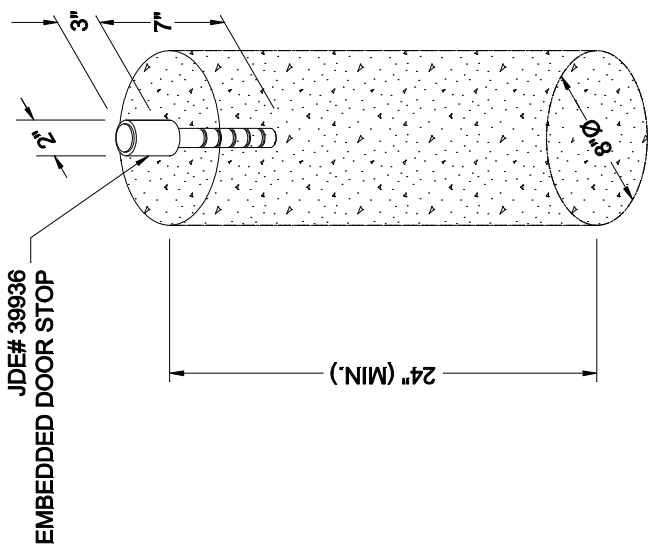
- NOTE:**
1. THE OPENING IN THE FENCE LINE SHALL BE BUILT TO ACCOMMODATE THE DOOR JAMB PER THE OWNERS SPECIFICATIONS.
  2. GATE FRAME WILL BE FILLED WITH 1"x1" SQUARE TUBULAR STEEL PICKETS AT 3" ON CENTER AS SHOWN.
  3. SCHLAGE L SERIES LOCK IN MOUNTING BOX WITH CONSTRUCTION CYLINDER AND CORE.
  4. GATE FRAME AND JAMB TO BE GALVANIZED. POWDER COATING OVER GALVANIZING IS OPTIONAL.

**SECURE SIDE ELEVATION**  
TF124-1 Scale: None



**1 PLAN VIEW**  
 Scale: None  
 TF124-2

**2 HINGE DETAIL**  
 Scale: None  
 TF124-2



**3 2150 PLAN VIEW**  
 Scale: None  
 TF124-2

**4 EMBEDDED DOOR STOP**  
 Scale: None  
 TF124-2