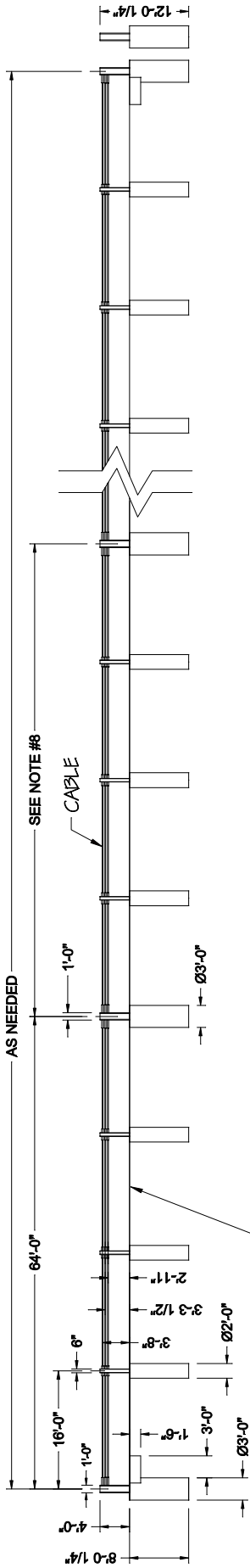
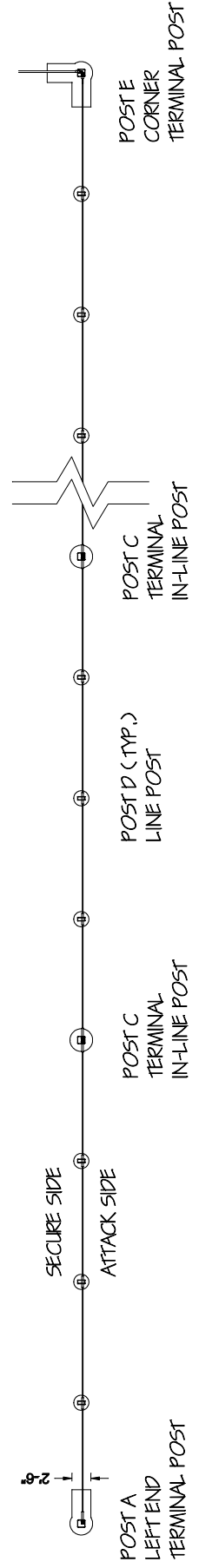


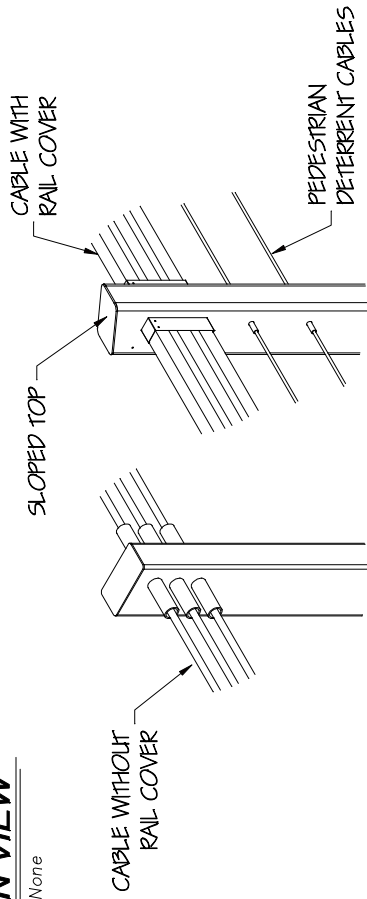
PROJECT:	TCF-M40P1-Genetic R1
SUBJECT:	1 of 2
CONTRACTOR:	ARCHITECT/ENGINEER:
DRAWING NUMBER:	TCF-M40P1-1



1 ELEVATION VIEW
Scale: None



2 PLAN VIEW
Scale: None

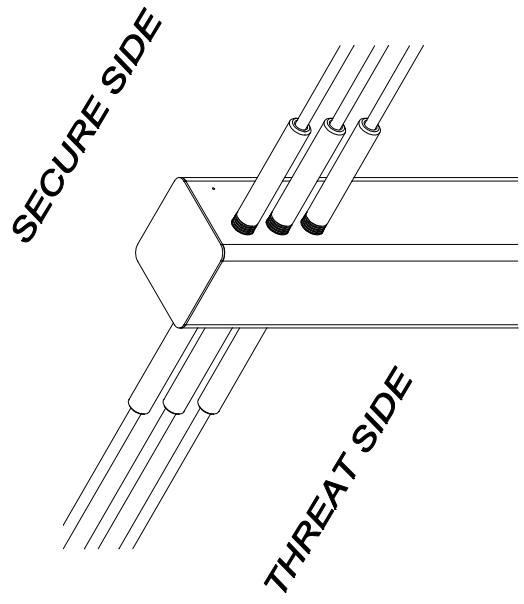


3 SYSTEM OPTIONS
Scale: None

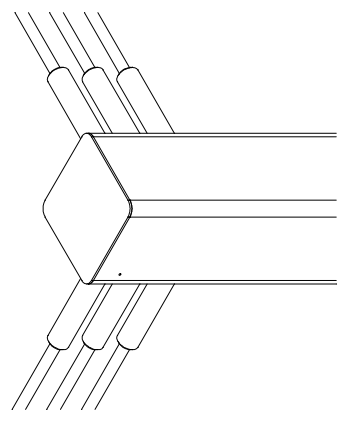
- NOTES:**
- ALL MATERIALS (POSTS, CABLES AND THREADED STUDS & POST SLEEVES, AND RAILS) WILL BE PROVIDED BY TYMETAL EXCEPT REINFORCEMENT BARS AND CONCRETE. REBAR AVAILABLE AT ADDITIONAL COST.
 - THE CONCRETE SHALL BE A MINIMUM OF 4,000 PSI. POSTS SHALL BE FILLED WITH CONCRETE (STOP 3" BELOW BOTTOM CABLE HOLE).
 - ALL REBAR SHALL HAVE A MINIMUM OF 2" CONCRETE COVER. SEE REBAR DRAWINGS.
 - CABLE SHALL BE 1" DIAMETER 6X19 OR 6X36 DRAWN GALVANIZED EIP, IWRC WIRE ROPE AND PROVIDED BY TYMETAL AS PART OF THE FENCE SYSTEM.
 - DISTANCE BETWEEN END POST AND TERMINAL IN-LINE POST SHALL BE 64' AND DISTANCE AT AND BETWEEN LINE POST IS 16'. THESE DISTANCES CAN BE ADJUSTED A MAX OF +/- 6" TO ALLOW FOR DIFFERING SITE CONDITIONS AND TO ADJUST FOR INSTALLATION WITH A SECONDARY FENCE (ANTI-CLIMB, CHAIN-LINK, ORNAMENTAL, ETC) SYSTEM.
 - MAXIMUM CABLE ANGLE 45° FROM ANY TERMINAL POST (POST A, B, C AND E).
 - THE TCF-M40P1 CRASH FENCING SYSTEM ENGINEERED TO WITHSTAND A 15,000# VEHICLE TRAVELING AT 40 MPH W/ <1M PENETRATION.
 - POST SECTION C-C REPEATABLE AS NEEDED TO ATTAIN DESIRED OVERALL SYSTEM LENGTH.
 - OVERALL SYSTEM LENGTHS THAT ARE NOT A MULTIPLE OF 64' WILL REQUIRE ONE SECTION (TERMINAL POST TO TERMINAL POST) TO BE CUSTOM ENGINEERED AND WILL HAVE DIFFERENT POST SPACING THAN THE REST OF THE SYSTEM.
 - FOUNDATIONS SHOWN ARE BASED ON AVERAGE SOIL AND SITE CONDITIONS. FOUNDATIONS MUST BE IN ACCORDANCE WITH ALL LOCAL CODES AND SHOULD BE REVIEWED BY A LOCAL ENGINEER.

TYMETAL
SECURITY GATES & PERIMETER SOLUTIONS
678 WILBUR AVENUE GREENWICH, N.Y. 12834
PH: (800) 328-4283 - FX: (518) 692-9404

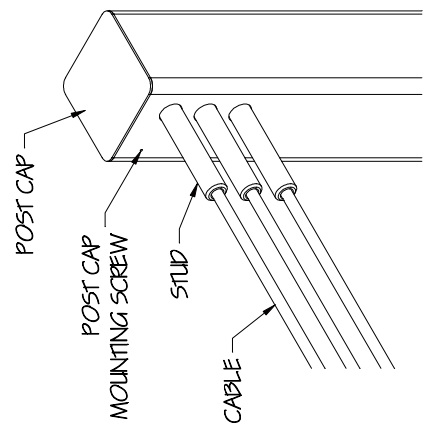
DRAWN BY:	JDT
DATE:	3/23/21
CHECKED BY:	JFH
DATE:	3/23/21
SCALE:	As Noted
REVISION LEVEL:	R1



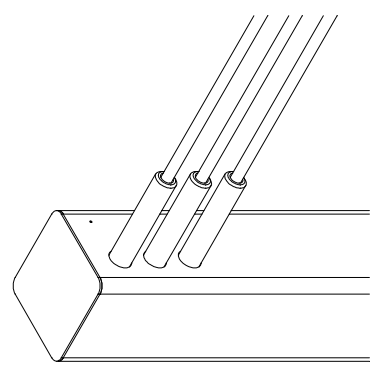
3 POST C
 TCF-M40P1-2 Scale: None



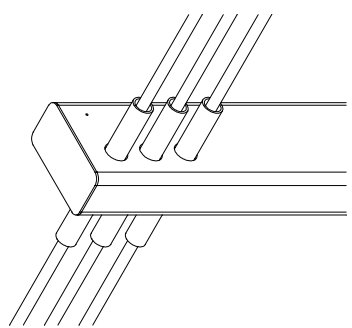
5 POST E
 TCF-M40P1-2 Scale: None



2 POST B
 TCF-M40P1-2 Scale: None



1 POST A
 TCF-M40P1-2 Scale: None



4 POST D
 TCF-M40P1-2 Scale: None