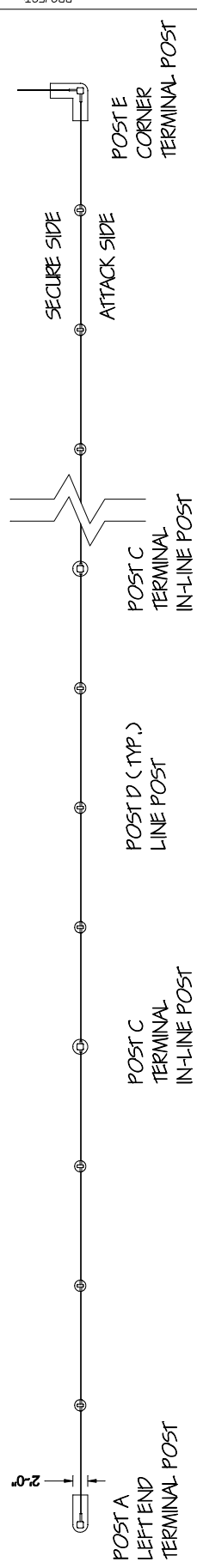
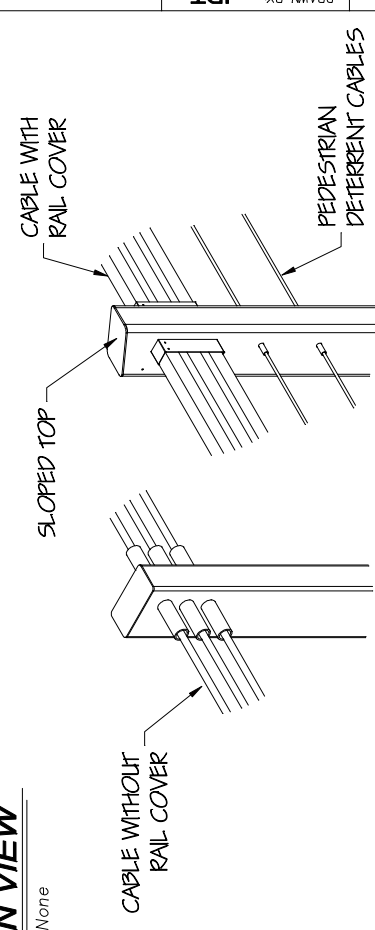


1 ELEVATION VIEW
Scale: None



2 PLAN VIEW
Scale: None

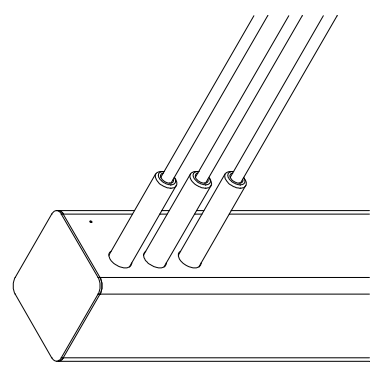
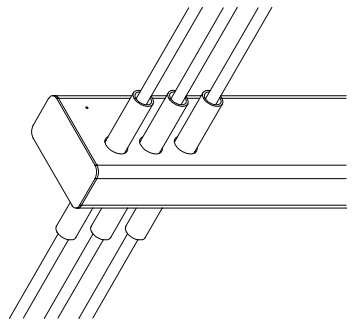
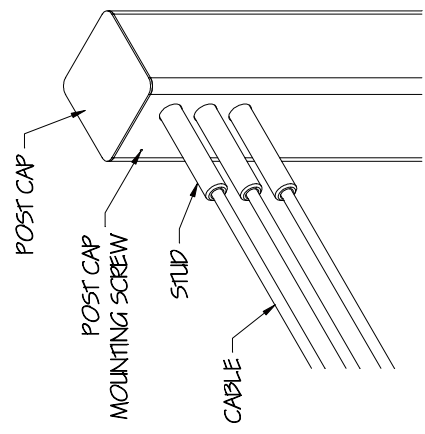
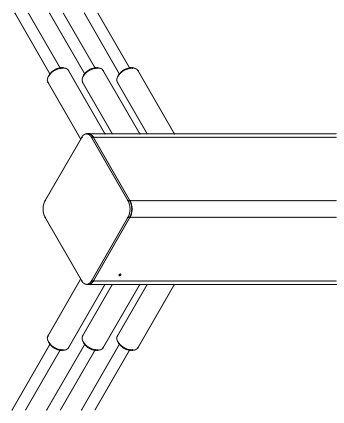
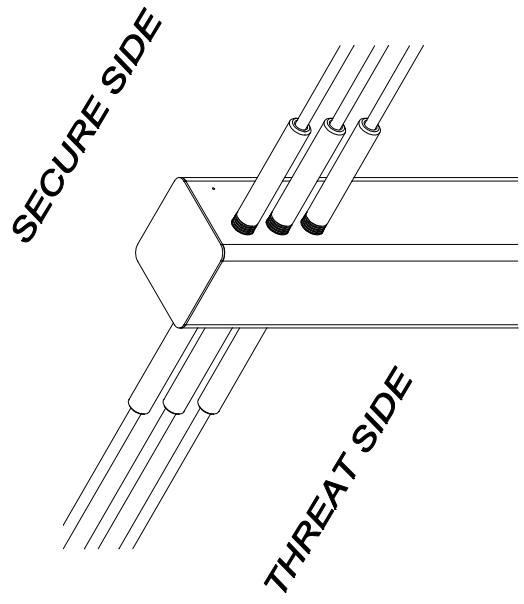


3 SYSTEM OPTIONS
Scale: None

- NOTES:**
1. ALL MATERIALS (POSTS, CABLES AND THREADED STUDS & POST SLEEVES, AND RAILS) WILL BE PROVIDED BY TYMETAL EXCEPT REINFORCEMENT BARS AND CONCRETE. REBAR AVAILABLE AT ADDITIONAL COST.
 2. THE CONCRETE SHALL BE A MINIMUM OF 4,000 PSI. POSTS SHALL BE FILLED WITH CONCRETE (STOP 3" BELOW BOTTOM CABLE HOLE).
 3. ALL REBAR SHALL HAVE A MINIMUM OF 2" CONCRETE COVER, SEE REBAR DRAWINGS.
 4. CABLE SHALL BE 3/4" DIAMETER 6X19 OR 6X36 DRAWN GALVANIZED EIP, IWRC WIRE ROPE AND PROVIDED BY TYMETAL AS PART OF THE FENCE SYSTEM.
 5. DISTANCE BETWEEN END POST AND TERMINAL IN-LINE POST SHALL BE 64' AND DISTANCE AT AND BETWEEN LINE POST IS 16'. THESE DISTANCES CAN BE ADJUSTED A MAX OF +/- 6" TO ALLOW FOR DIFFERING SITE CONDITIONS AND TO ADJUST FOR INSTALLATION WITH A SECONDARY FENCE (ANTI-CLIMB, CHAIN-LINK, ORNAMENTAL, ETC) SYSTEM.
 6. MAXIMUM CABLE ANGLE ±5° FROM ANY TERMINAL POST (POST A, B, C AND E).
 7. THE TCF-M30P1 CRASH FENCING SYSTEM ENGINEERED TO WITHSTAND A 15,000# VEHICLE TRAVELING AT 30 MPH W/ < 1M PENETRATION.
 8. POST SECTION C-C REPEATABLE AS NEEDED TO ATTAIN DESIRED OVERALL SYSTEM LENGTH.
 9. OVERALL SYSTEM LENGTHS THAT ARE NOT A MULTIPLE OF 64' WILL REQUIRE ONE SECTION (TERMINAL POST TO TERMINAL POST) TO BE CUSTOM ENGINEERED AND WILL HAVE DIFFERENT POST SPACING THAN THE REST OF THE SYSTEM.
 10. FOUNDATIONS SHOWN ARE BASED ON AVERAGE SOIL AND SITE CONDITIONS. FOUNDATIONS MUST BE IN ACCORDANCE WITH ALL LOCAL CODES AND SHOULD BE REVIEWED BY A LOCAL ENGINEER.

PROJECT: TCF-M30P1-Genetic R1 SUBECT: TCF-M30P1 Crash Engineered Fence CONTRACTOR: ARCHITECT/ENGINEER:		DRAWN BY: JDT DATE: 3/23/21 CHECKED BY: JFH DATE: 3/23/21 SCALE: As Noted REVISION LEVEL: R1
SHEET NUMBER: 1 of 2 DRAWING NUMBER: TCF-M30P1-1		SECURITY GATES & PERIMETER SOLUTIONS 678 WILBUR AVENUE GREENWICH, N.Y. 12834 PH: (800) 328-4283 - FX: (518) 692-9404





4 POST D
 TCF-M30P1-2 Scale: None

1 POST A
 TCF-M30P1-2 Scale: None