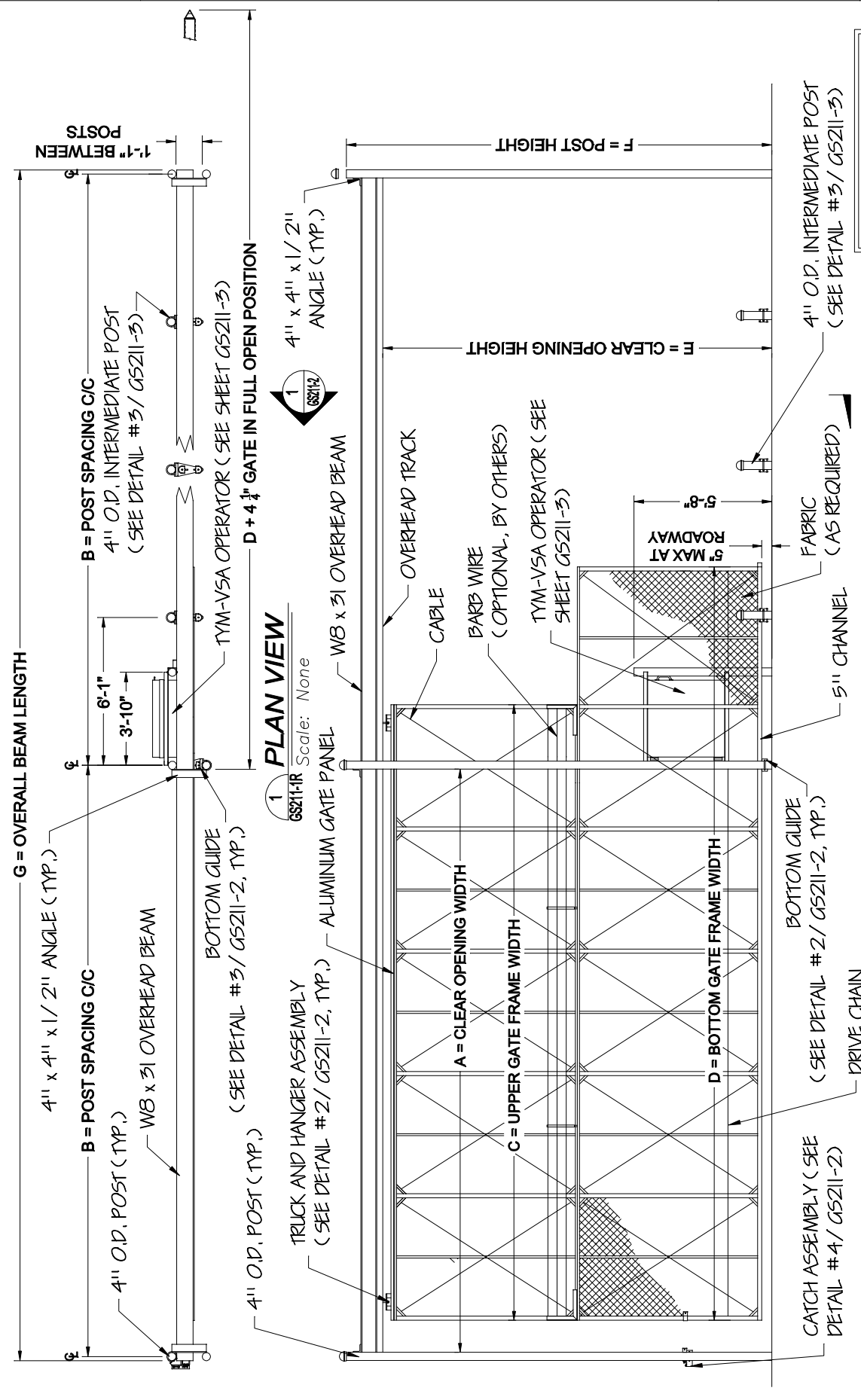


SECURITY GATES & PERIMETER SOLUTIONS  
 GREENWICH, N.Y. 12834  
 PH: (800) 328-4283 - FX: (518) 692-9404

**TYMETAL**

678 WILBUR AVENUE  
 GREENWICH, N.Y. 12834



**RIGHT TO OPEN**

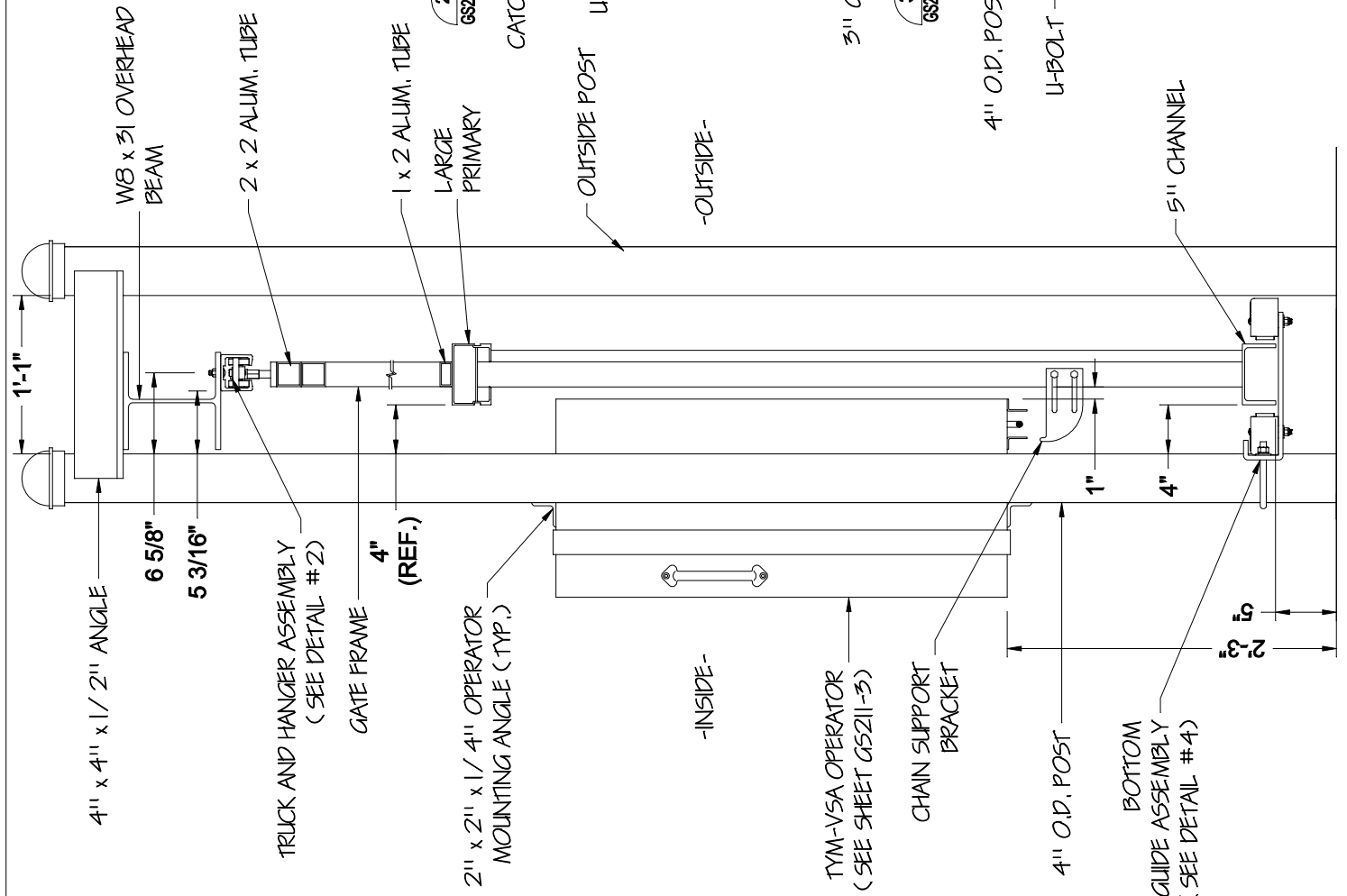
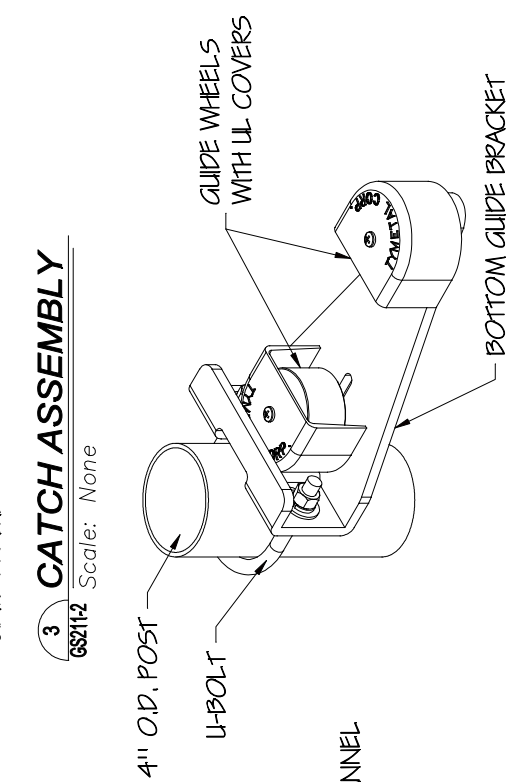
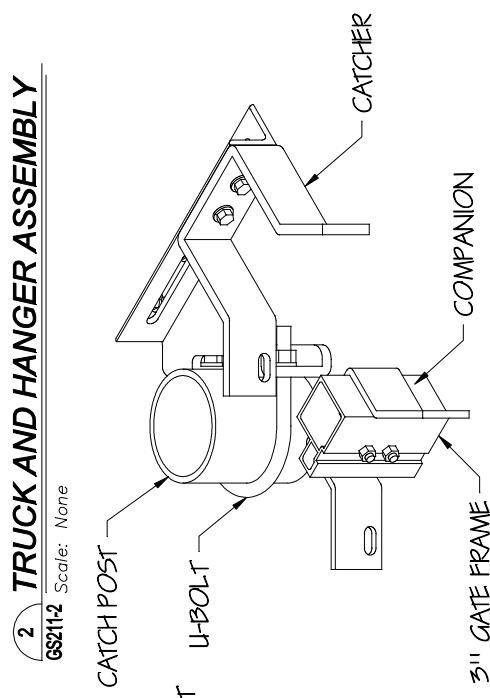
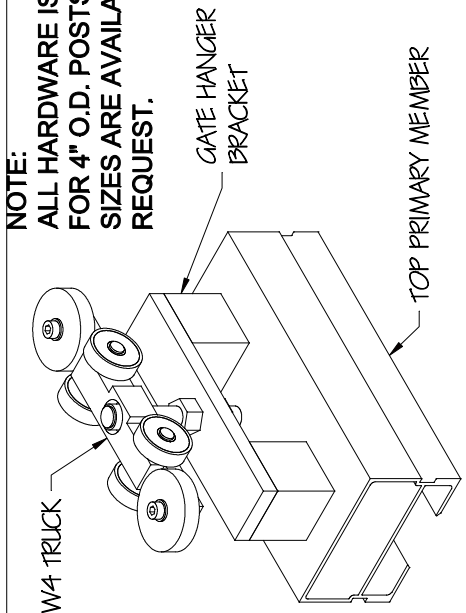
- NOTES:**
- GATE FRAME SHALL CONFORM TO ASTM 1184 FOR A TYPE I CLASS II UNIT.
  - GATE IS MILL FINISH.
  - DEPENDING ON CLEAR OPENING WIDTH AN APPROPRIATE "W" BEAM WILL BE USED. FOR CLEAR OPENING WIDTHS GREATER THAN 40' (UP TO 53') AND ENGINEERED BEAM WILL BE UTILIZED.

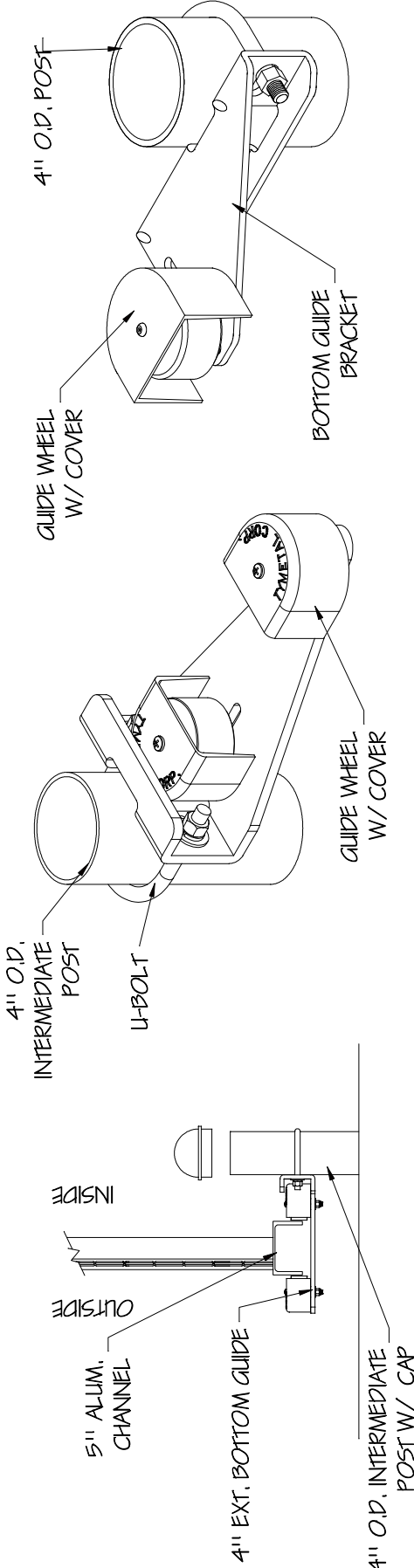
**CRITICAL DIMENSION CHART**

	UPTO 40'	F	POST HEIGHT	E + 1'-6"
A*	CLEAR OPENING	A + 4"	OVERALL BEAM LENGTH	A x 2 + 1'-0"
B	POST SPACING C/C	A + 1'-4"		
C	UPPER GATE FRAME WIDTH	A + 5' MIN.		
D	BOTTOM GATE FRAME WIDTH	UP TO 16'		
E**	CLEAR OPENING HEIGHT			

\*A: SEE NOTE 3.  
 \*\* E: CONTACT MANUFACTURER FOR HEIGHTS GREATER THAN 16'.

**NOTE:**  
 ALL HARDWARE IS PROVIDED  
 FOR 4" O.D. POSTS. OTHER  
 SIZES ARE AVAILABLE UPON  
 REQUEST.

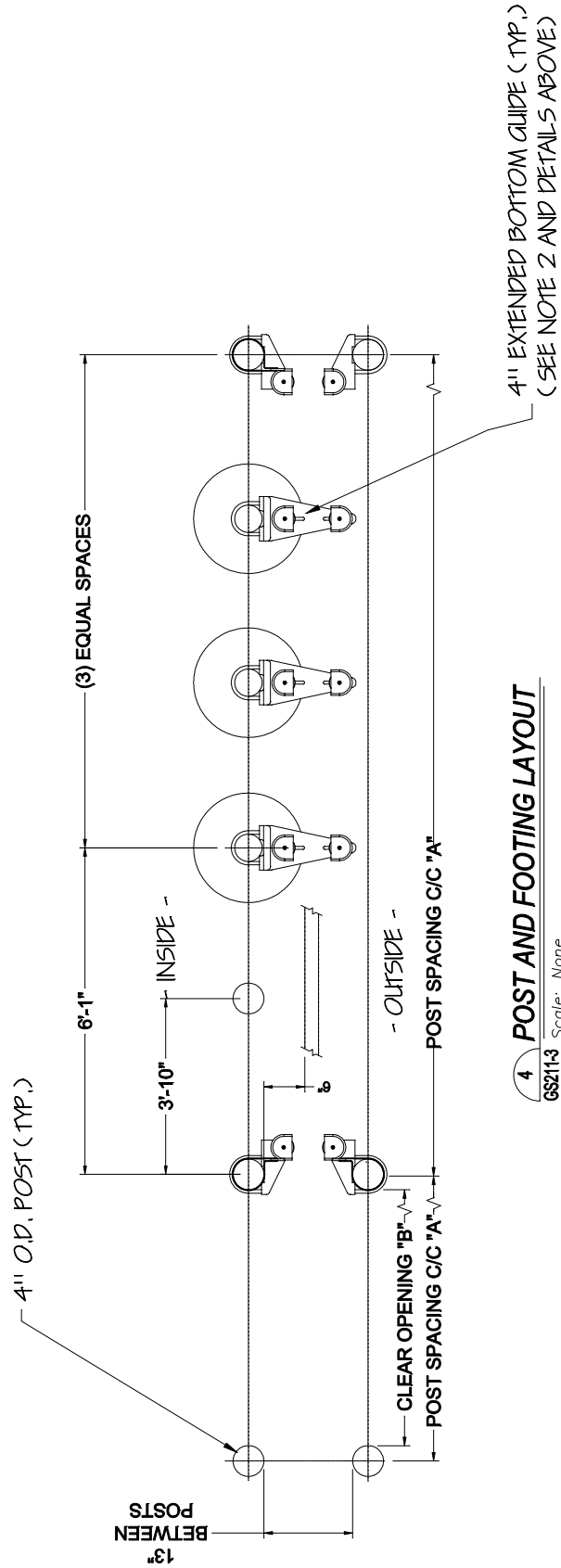




**1 4" EXT. BOTTOM GUIDE ON STUD POST**  
GS211-3 Scale: None

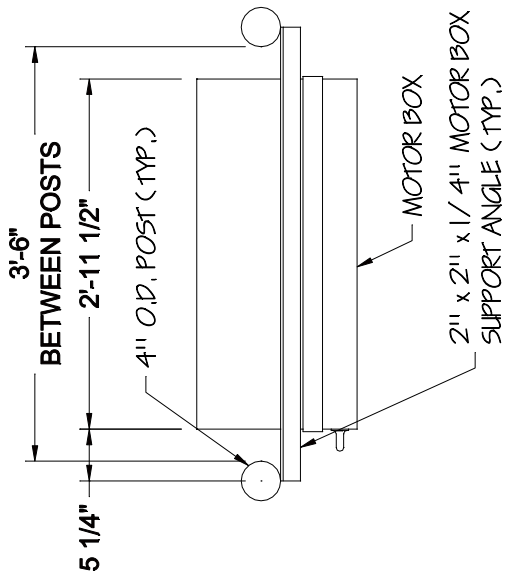
**2 INTERMEDIATE POST BOTTOM GUIDE ASSEMBLY**  
GS211-3 Scale: None

**3 BOTTOM GUIDE ASSEMBLY**  
GS211-3 Scale: None

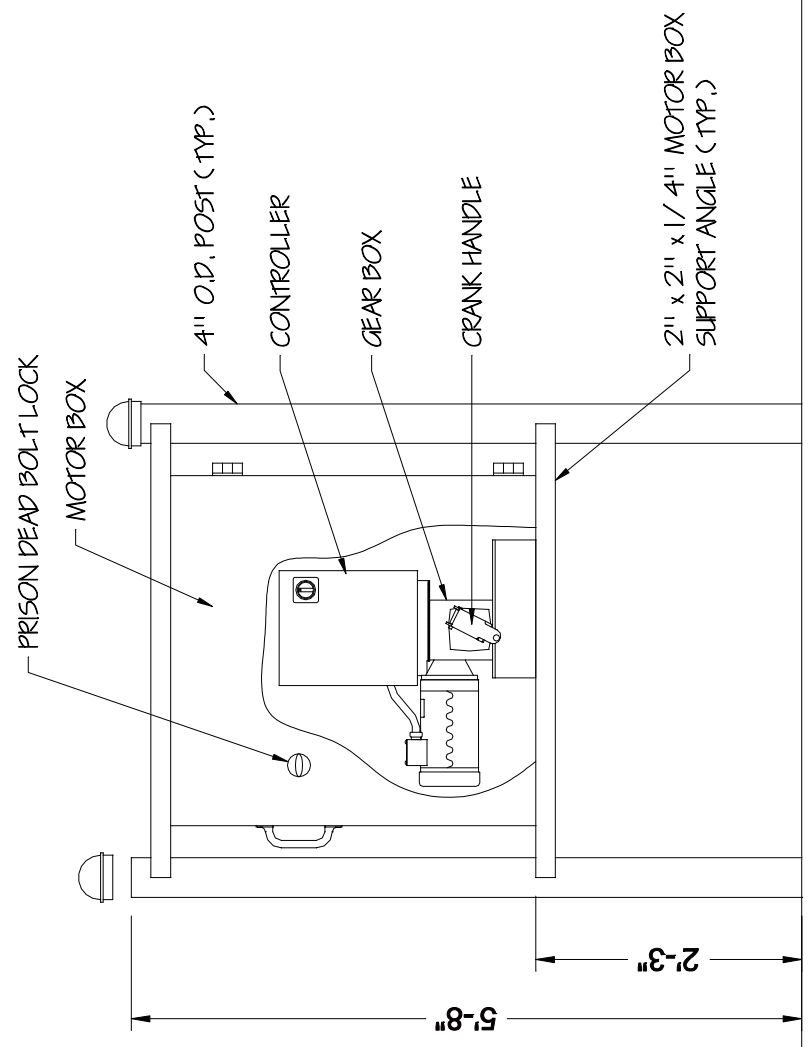


**4 POST AND FOOTING LAYOUT**  
GS211-3 Scale: None  
RIGHT HAND SHOWN; LEFT HAND OPPOSITE

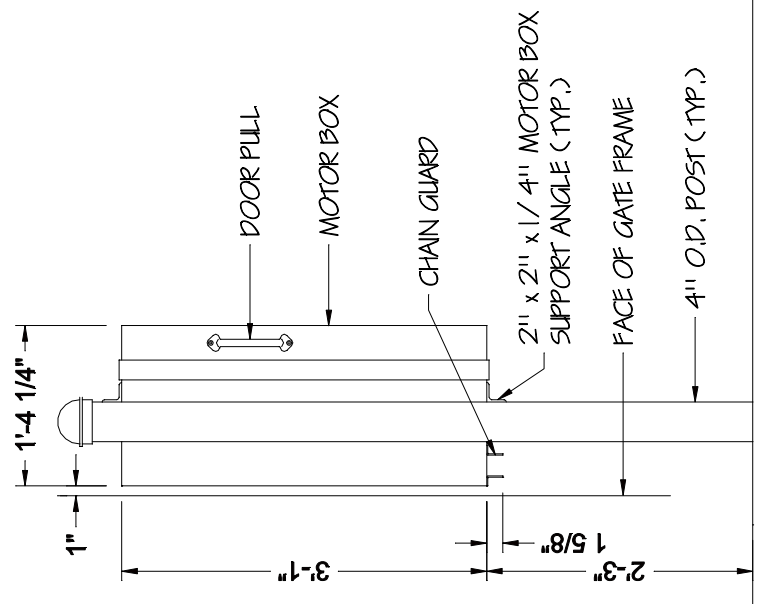
- NOTES:**
1. ALL HARDWARE IS PROVIDED FOR 6 5/8" O.D. SCHEDULE 40 AND 4" O.D. SCHEDULE 40 POSTS AS REQUIRED.
  2. INTERMEDIATE POSTS FOR GUIDE ASSEMBLY TO BE SET AFTER GATE IS HUNG AND ADJUSTED.
  3. FOUNDATIONS MUST BE IN ACCORDANCE WITH ALL LOCAL CODES AND SHOULD BE REVIEWED BY LOCAL ENGINEER.



**1 OPERATOR PLAN**  
 Scale: None



**2 OPERATOR FRONT ELEVATION**  
 Scale: None



**3 OPERATOR SIDE ELEVATION**  
 Scale: None