

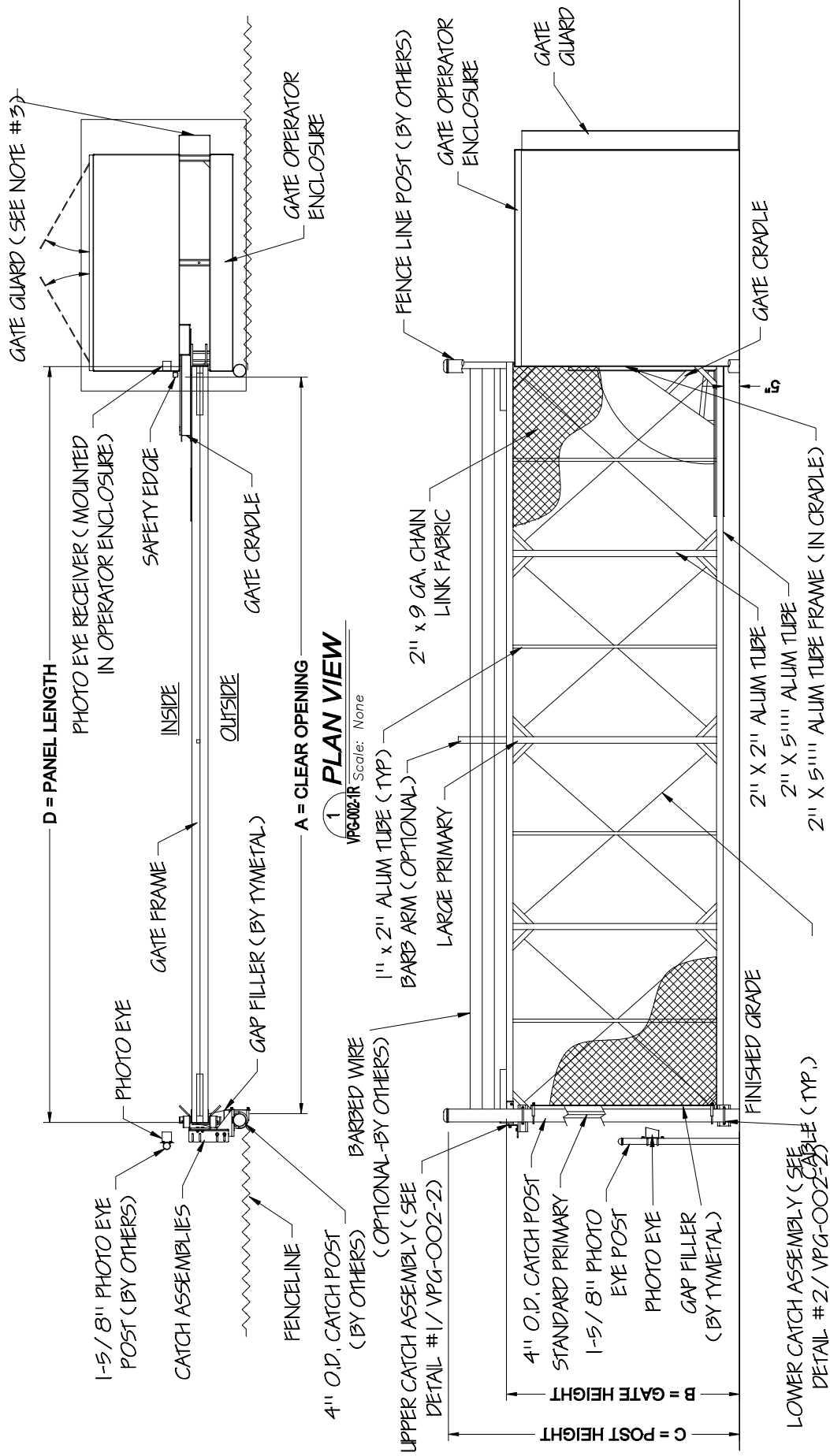
LEFT to Open

**CRITICAL DIMENSION CHART**

	A	B	C	D
CLEAR OPENING	*	A		
GATE HEIGHT		*	B	
POST HEIGHT			B+6"	
PANEL LENGTH				A+6"

- NOTES:**
- GATE FINISH: GATE IS POWDER COATED STOCK STANDARD BLACK. OPERATOR ENCLOSURE IS PAINTED STOCK STANDARD BLACK.
  - GATE GUARDS ARE INCLUDED WITH GATE PANELS UP TO 7 FEET TALL. FOR GATES EXCEEDING 7 FEET IN HEIGHT, THE OPERATOR MUST BE ENCLOSED (BY OTHERS) TO PREVENT ENTRAPMENT BY THE GATE WHEN OPEN.

\* THE VERTICAL PIVOT GATE IS A COUNTERBALANCED SYSTEM. MAXIMUM CLEAR OPENING WIDTH INCREASES AS HEIGHT DECREASES. CONTACT MANUFACTURER TO VERIFY SIZE.



**2 ELEVATION**

Scale: None  
 - OUTSIDE LOOKING IN -

\* THE VERTICAL PIVOT GATE IS A COUNTERBALANCED SYSTEM. MAXIMUM CLEAR OPENING WIDTH INCREASES AS HEIGHT DECREASES. CONTACT MANUFACTURER TO VERIFY SIZE.

**CRITICAL DIMENSION CHART**

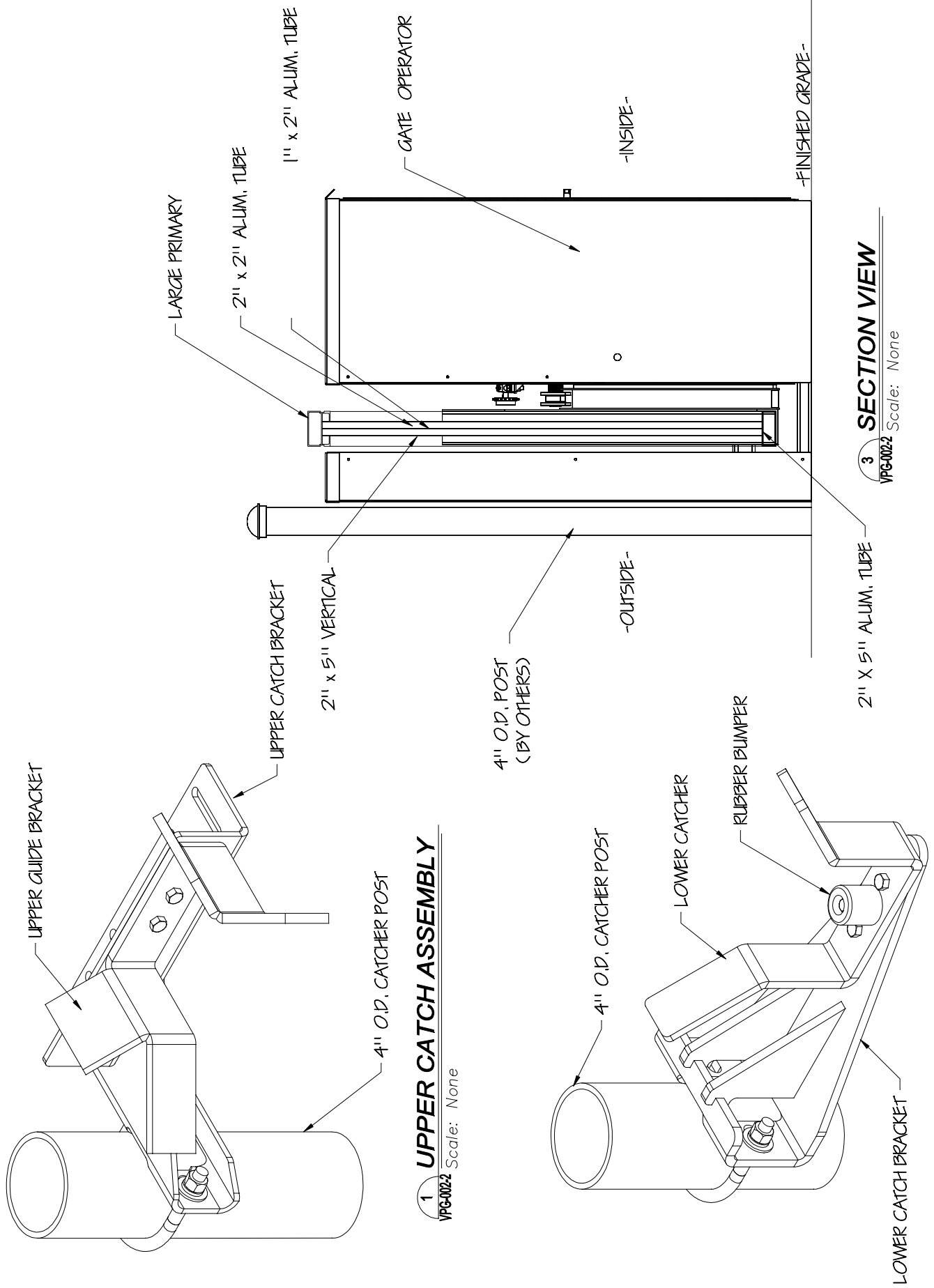
A	CLEAR OPENING	* A
B	GATE HEIGHT	* B
C	POST HEIGHT	B+6"
D	PANEL LENGTH	A+6"

**RIGHT to Open**

- NOTES:**
- GATE FINISH: GATE IS POWDER COATED STOCK STANDARD BLACK. OPERATOR ENCLOSURE IS PAINTED STOCK STANDARD BLACK.
  - GATE GUARDS ARE INCLUDED WITH GATE PANELS UP TO 7 FEET TALL. FOR GATES EXCEEDING 7 FEET IN HEIGHT, THE OPERATOR MUST BE ENCLOSED (BY OTHERS) TO PREVENT ENTRAPMENT BY THE GATE WHEN OPEN.

PROJECT:	ARCHITECT/ENGINEER:	REVISION LEVEL: <b>R6</b>
SUBJECT: <b>Chain Link Vertical Pivot Gate</b>	CONTRACTOR:	SCALE: <b>As Noted</b>
DATE: <b>8/7/25</b>	CHECKED BY: <b>JDE</b>	DATE: <b>8/7/25</b>
DRAWN BY: <b>MAM</b>		

**TYMETAL**  
SECURITY GATES & PERIMETER SOLUTIONS  
678 WILBUR AVENUE GREENWICH, N.Y. 12834  
PH: (800) 328-4283 - FX: (518) 692-9404



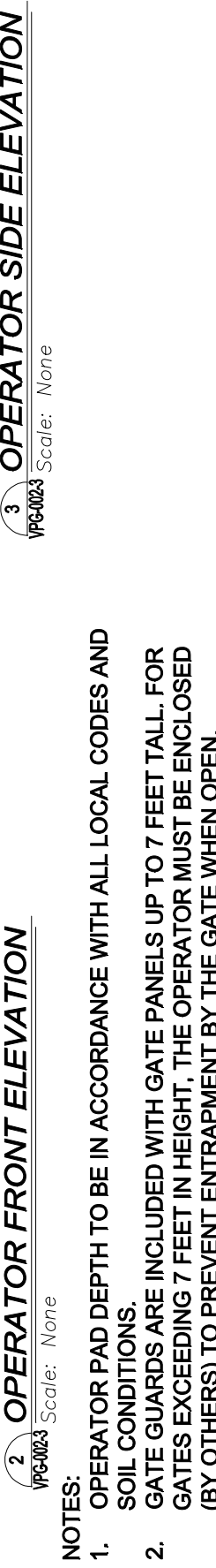
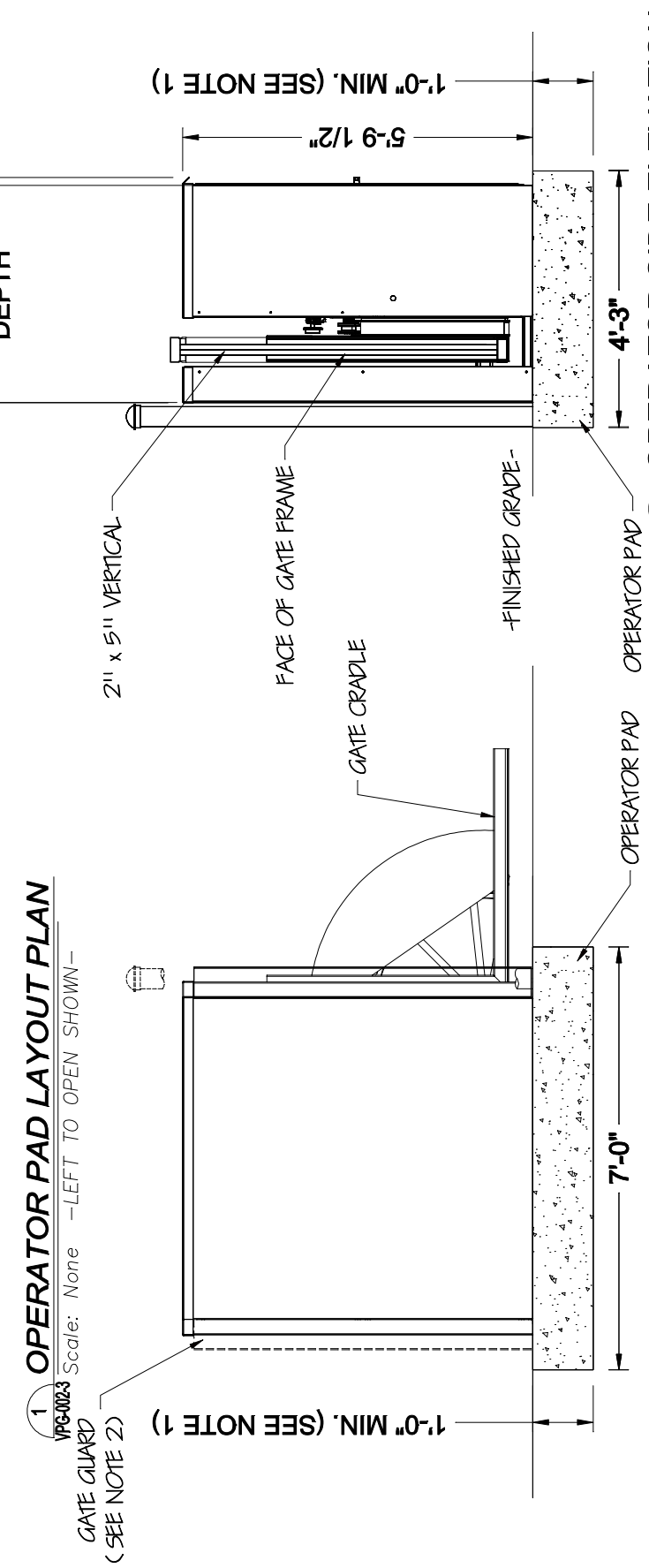
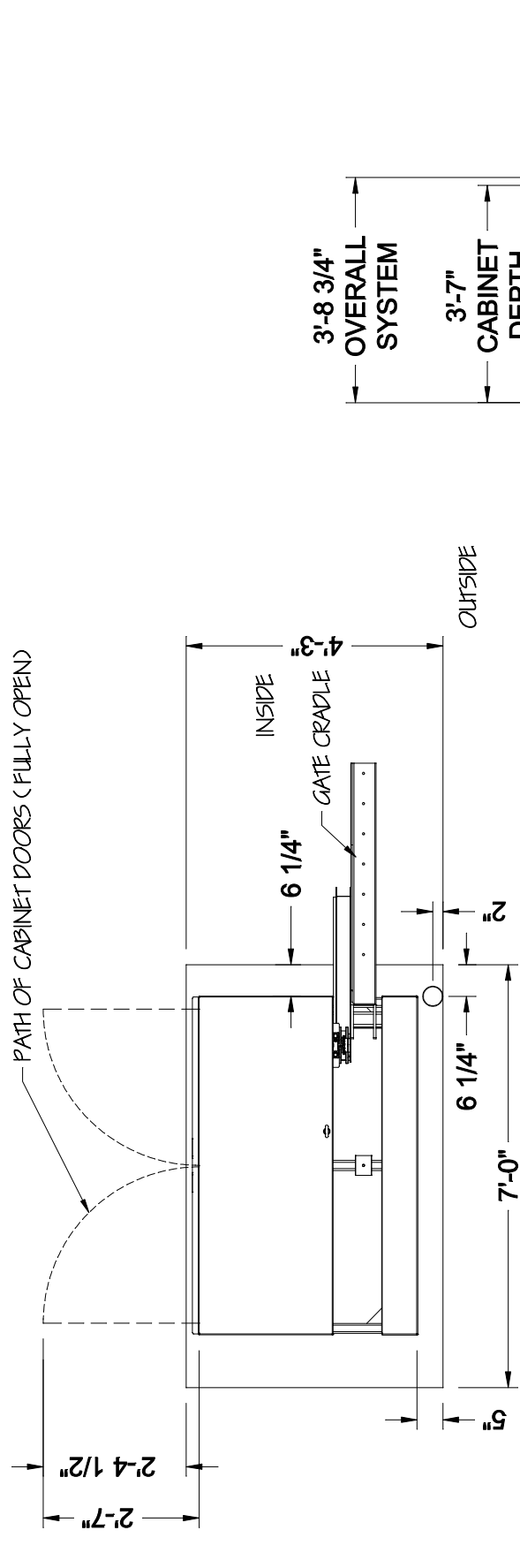
**3 SECTION VIEW**  
VPG-002-2 Scale: None

**2 LOWER CATCH ASSEMBLY**  
Scale: None  
VPG-002-2

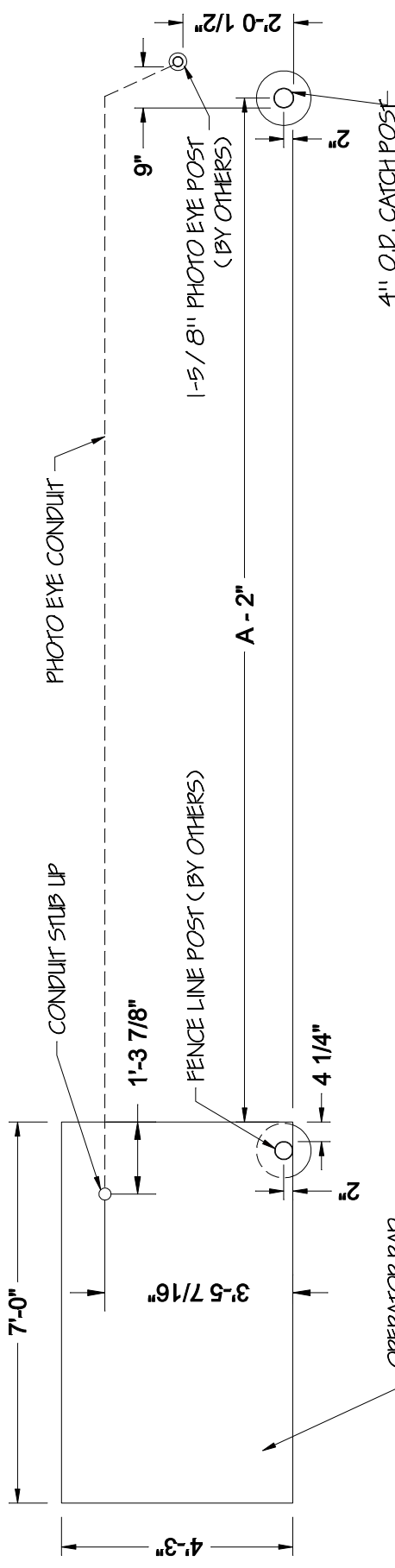
**1 UPPER CATCH ASSEMBLY**  
Scale: None  
VPG-002-2

REVISION LEVEL: <b>R6</b>	ARCHITECT/ENGINEER:
SCALE: <b>As Noted</b>	CONTRACTOR:
DATE: <b>8/7/25</b>	SUBJECT: <b>Operator Details</b>
CHECKED BY: <b>JDE</b>	PROJECT:
DATE: <b>8/7/25</b>	
DRAWN BY: <b>MAM</b>	

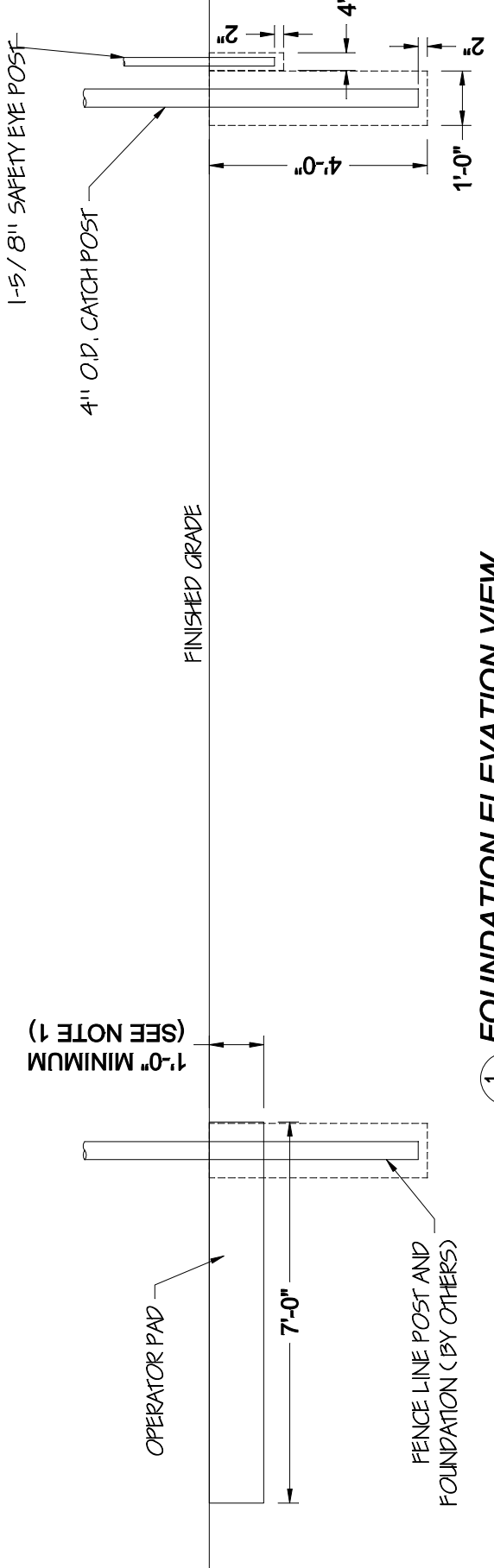
**Tymetal**  
 SECURITY GATES & PERIMETER SOLUTIONS  
 678 WILBUR AVENUE GREENWICH, N.Y. 12834  
 PH: (800) 328-4283 - FX: (518) 692-9404



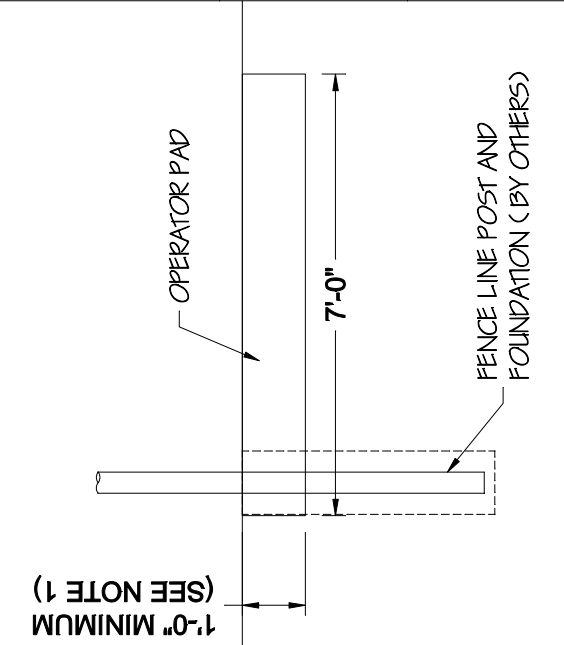
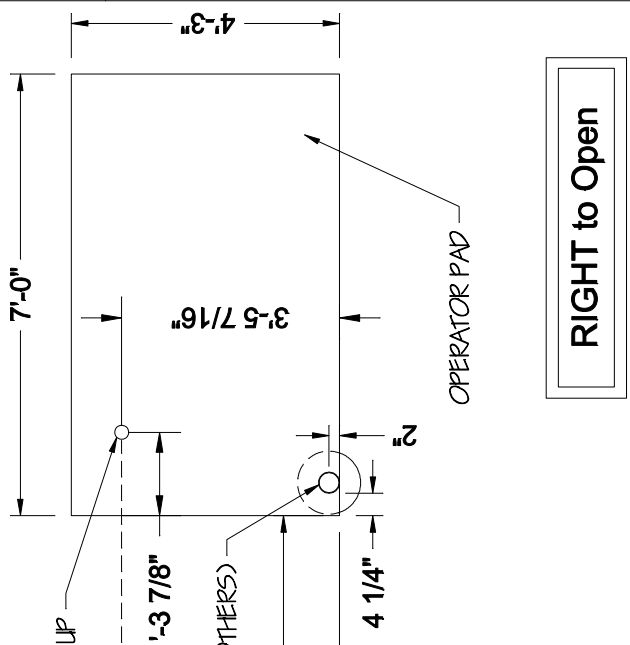
- NOTES:**
- OPERATOR PAD DEPTH TO BE IN ACCORDANCE WITH ALL LOCAL CODES AND SOIL CONDITIONS.
  - GATE GUARDS ARE INCLUDED WITH GATE PANELS UP TO 7 FEET TALL. FOR GATES EXCEEDING 7 FEET IN HEIGHT, THE OPERATOR MUST BE ENCLOSED (BY OTHERS) TO PREVENT ENTRAPMENT BY THE GATE WHEN OPEN.



**LEFT to Open**



- NOTES:
- FOUNDATIONS SHOWN ARE BASED ON AVERAGE SOIL AND SITE CONDITIONS. FOUNDATIONS MUST BE IN ACCORDANCE WITH ALL LOCAL CODES, AND SHOULD BE REVIEWED BY A LOCAL ENGINEER.
  - OPERATOR INPUT POWER CAN BE 115VAC 8AMP OR 230VAC 4.5AMP.



- NOTES:**
- FOUNDATIONS SHOWN ARE BASED ON AVERAGE SOIL AND SITE CONDITIONS. FOUNDATIONS MUST BE IN ACCORDANCE WITH ALL LOCAL CODES, AND SHOULD BE REVIEWED BY A LOCAL ENGINEER.
  - OPERATOR INPUT POWER CAN BE 115VAC 8AMP OR 230VAC 4.5AMP.