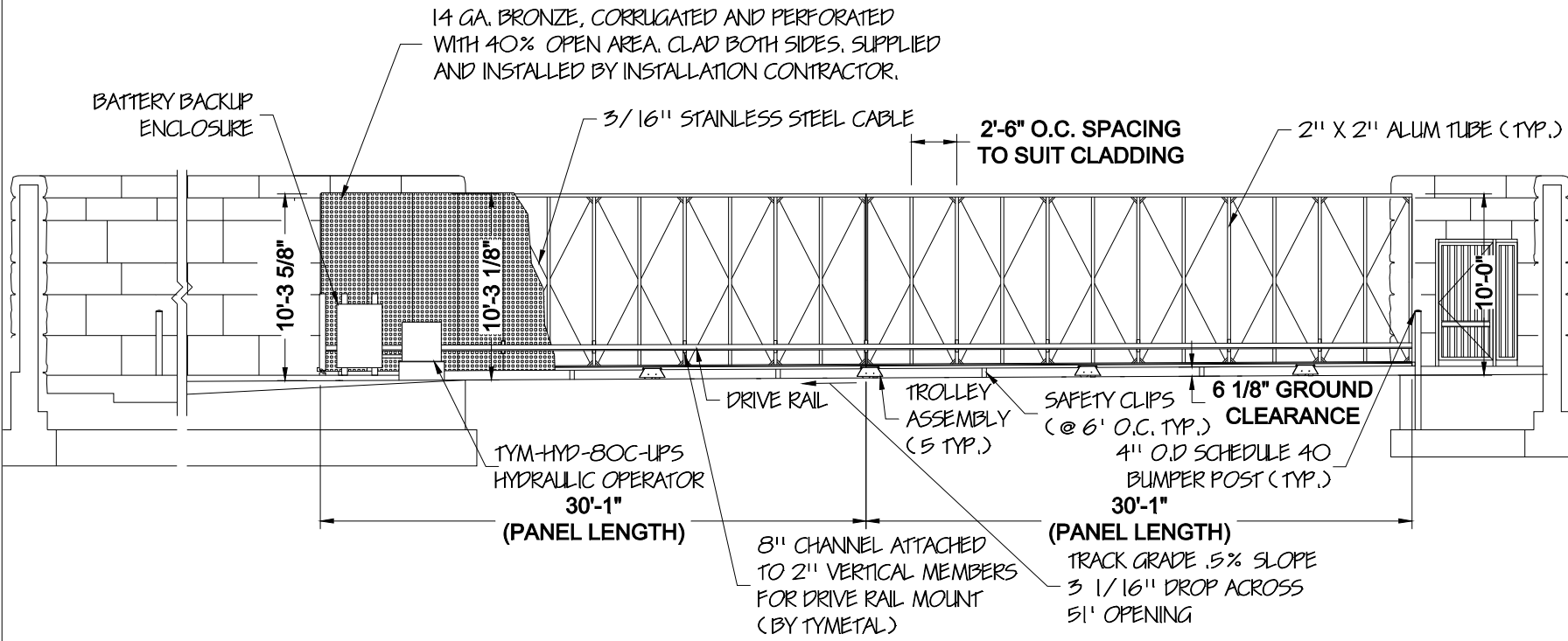
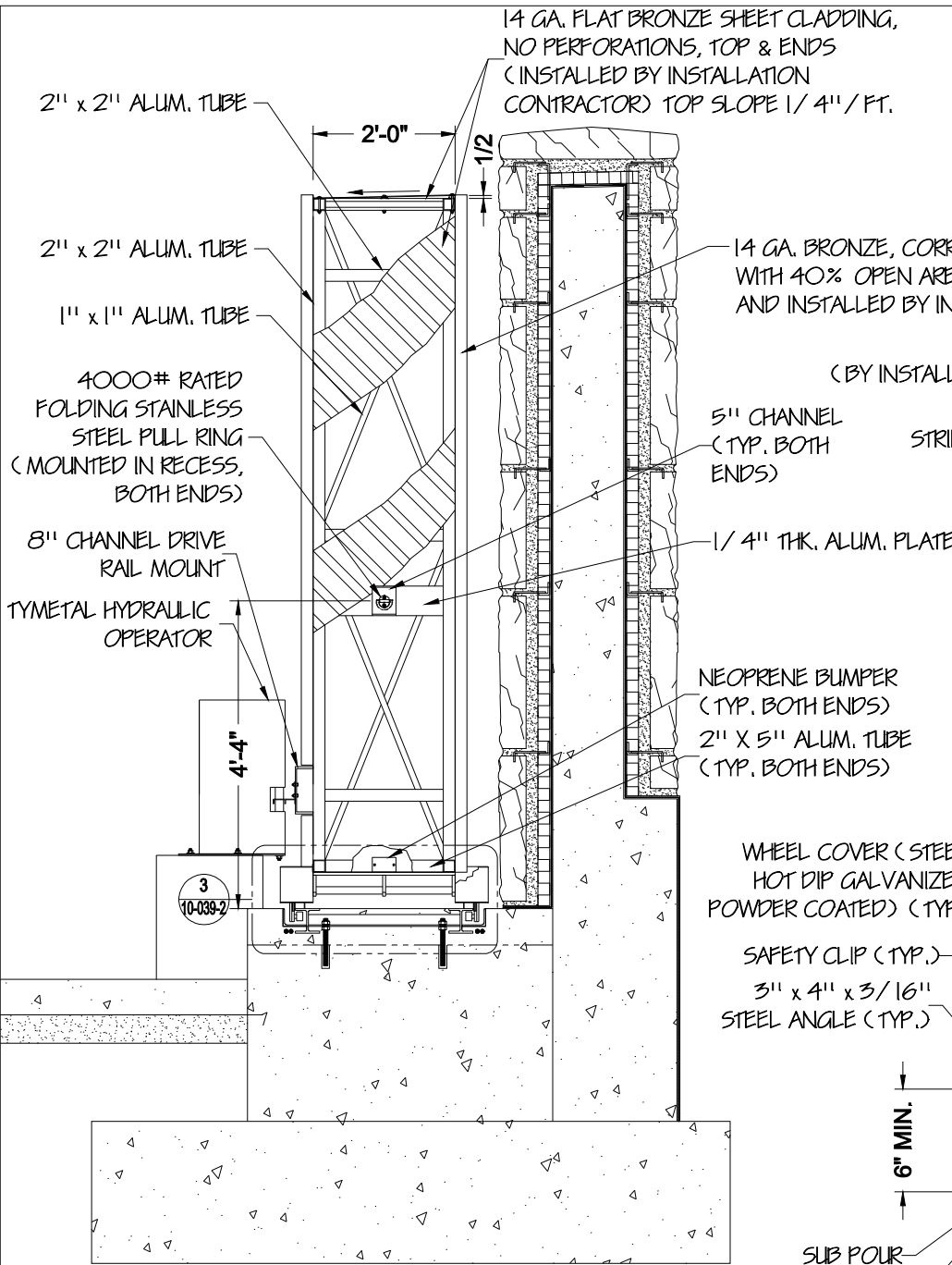


1 PLAN VIEW
 10-039-1 Scale: None

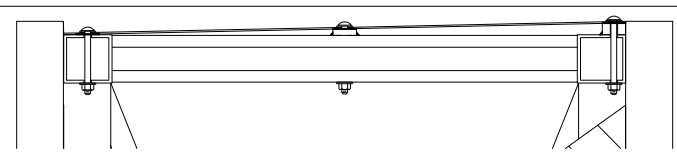


2 ELEVATION
 10-039-1 Scale: None

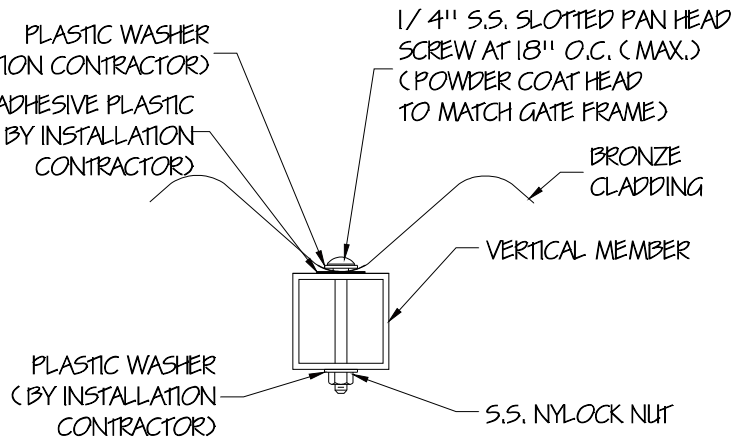
DIRECTORY/CAD FILE: PHCP Philadelphia Museum of Art/10-039-1		SHEET NUMBER: 1 of 5		DRAWING NUMBER: 10-039-1	
PROJECT: Philadelphia Museum of Art		SUBJECT: Box Frame Roller Gate With TYM-HYD-80C-UPS Operator		CONTRACTOR: ARCHITECT/ENGINEER: 	
DRAWN BY: DWT	DATE: 5/22/12	CHECKED BY: BGG	DATE: 5/22/12	SCALE: As Noted	REVISION LEVEL: R6
PROPRIETARY & CONFIDENTIAL The information contained in this drawing is the sole property of TYMETAL CORP. Any reproduction in part or as a whole without the written permission of TYMETAL CORP. is prohibited.					
TYMETAL CORP. www.tymetal.com		2549 STATE ROUTE 40 GREENWICH, N.Y. 12834 PH: (800) 328-4283 - FX: (518) 692-9404			



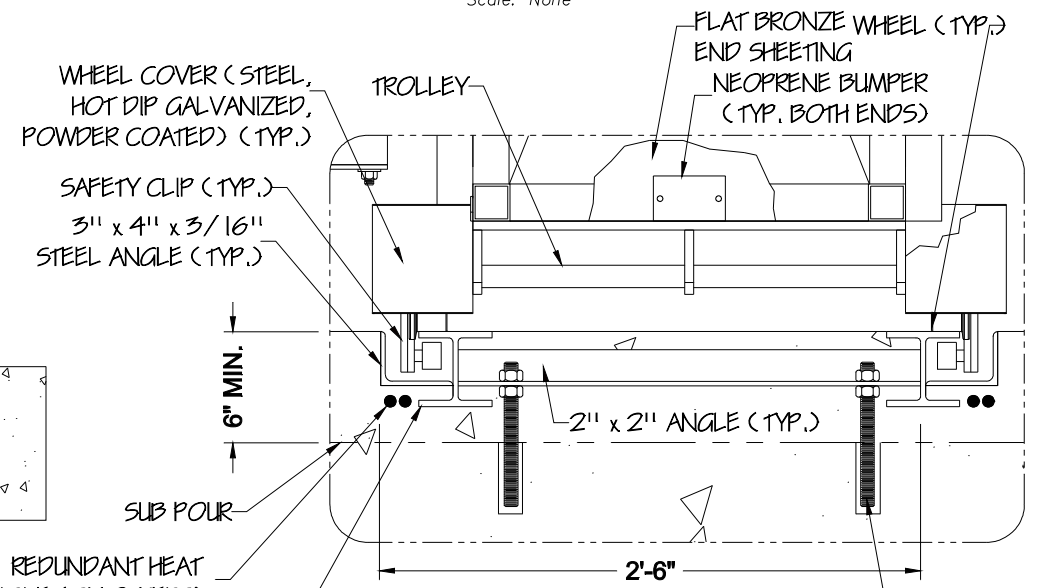
1 TYPICAL SECTION VIEW
10-039-2 Scale: None



5 PANEL BOLTING DETAIL (TOP)
10-039-2 Scale: None (SAME HARDWARE ARRANGEMENT AS SIDE PANELS)

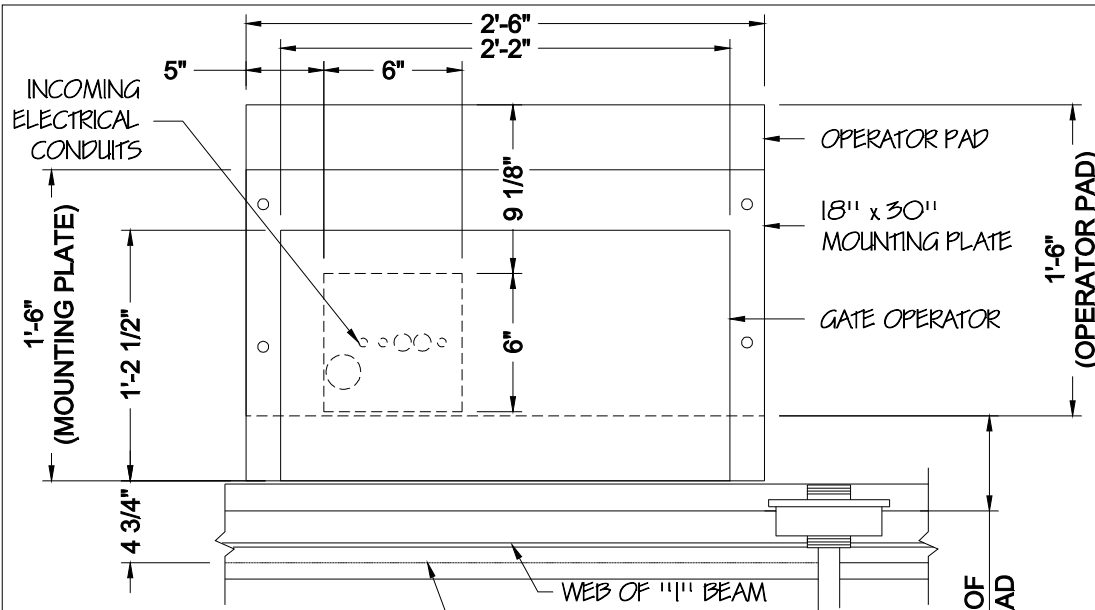


4 PANEL BOLTING DETAIL (SIDES)
10-039-2 Scale: None

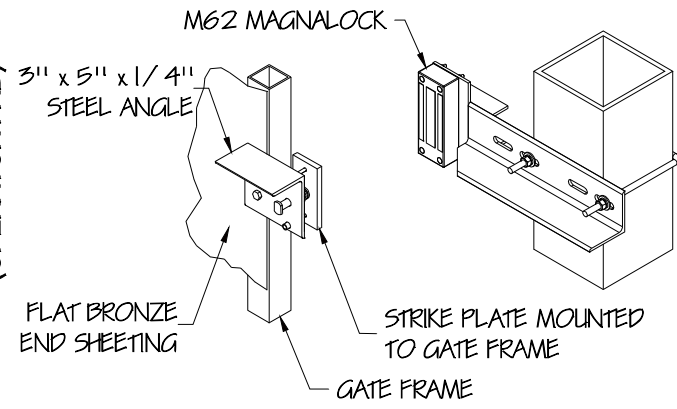


3 TRACK DETAIL VIEW
10-039-2 Scale: None

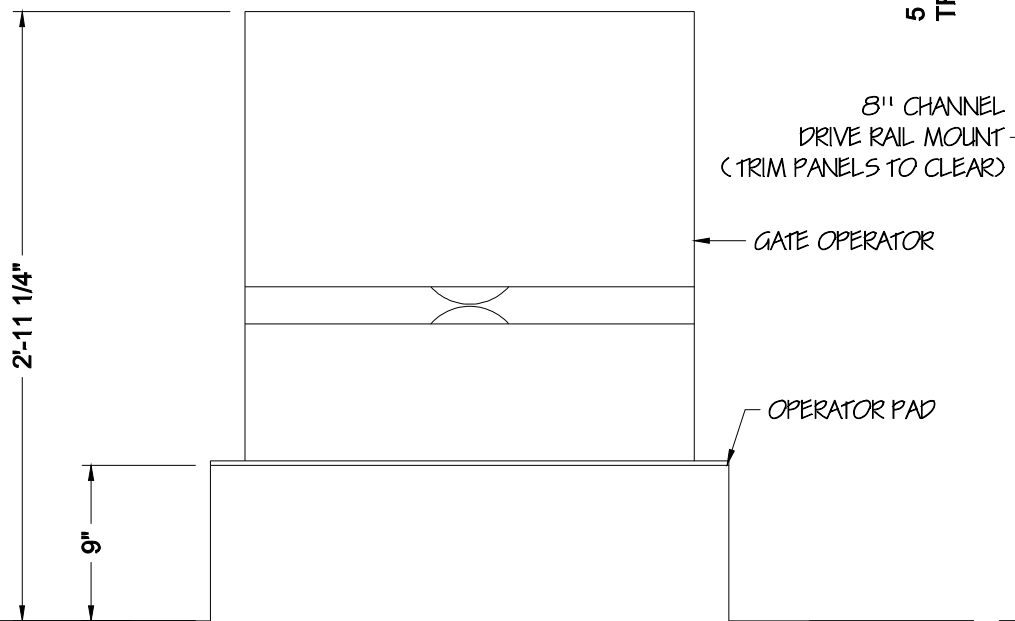
DIRECTORY/CAD FILE: PHM Philadelphia Museum of Art Box Frame Roller		SHEET NUMBER: 2 of 5		DRAWING NUMBER: 10-039-2	
PROJECT: Philadelphia Museum of Art		SUBJECT: Box Frame Roller Details		CONTRACTOR: ARCHITECT/ENGINEER:	
DRAWN BY: DWT	DATE: 5/22/12	CHECKED BY: BGG	DATE: 5/22/12	SCALE: As Noted	REVISION LEVEL: R6
PROPRIETARY & CONFIDENTIAL The information contained in this drawing is the sole property of TYPMETAL CORP. Any reproduction in part or as a whole without the written permission of TYPMETAL CORP. is prohibited.					
TYPMETAL CORP. www.tymetal.com		2549 STATE ROUTE 40 GREENWICH, N.Y. 12834 PH: (800) 328-4283 - FX: (616) 692-9404			



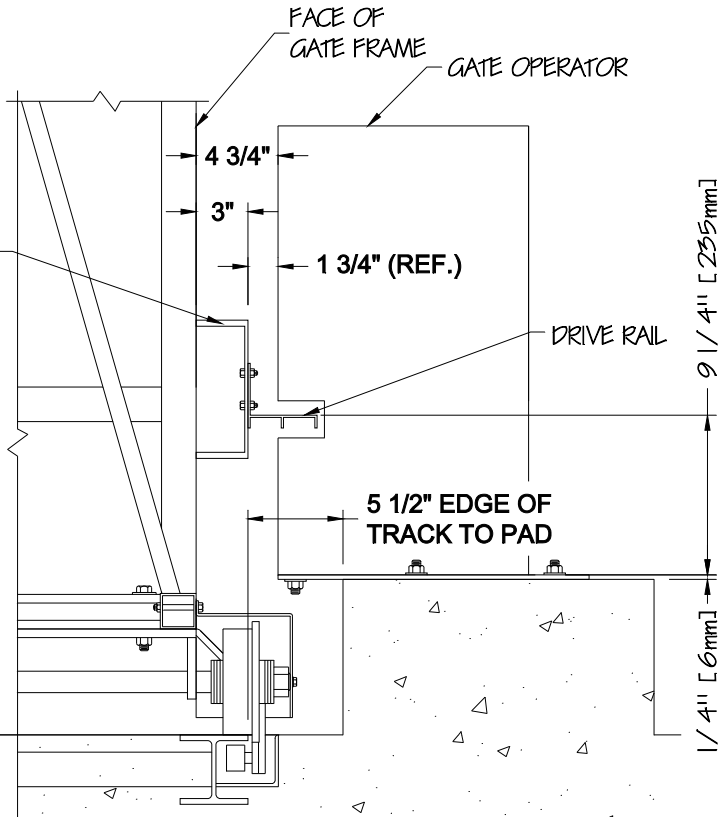
1 OPERATOR PLAN
 10-039-3 Scale: None



4 MAGNALOCK DETAIL
 10-039-3 Scale: None

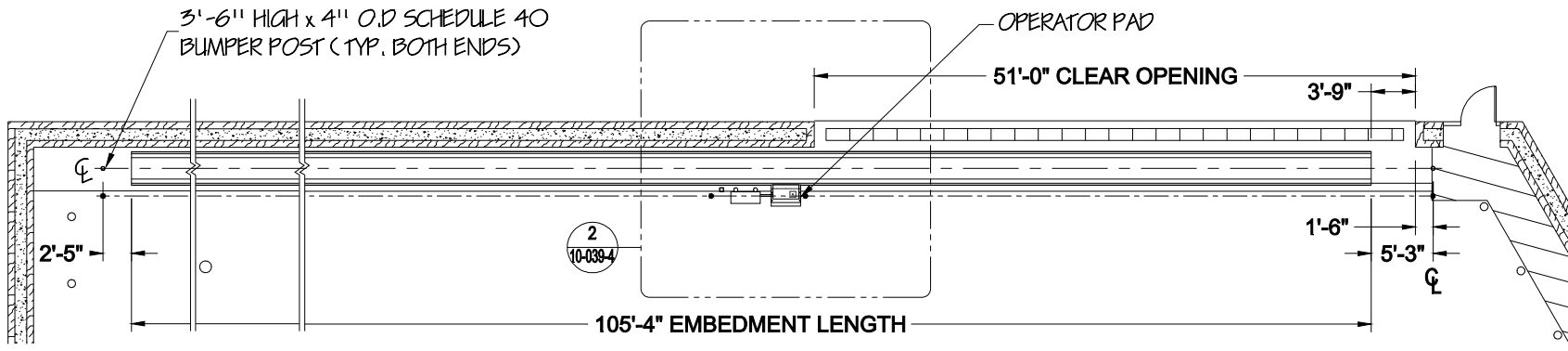


2 OPERATOR FRONT ELEVATION
 10-039-3 Scale: None

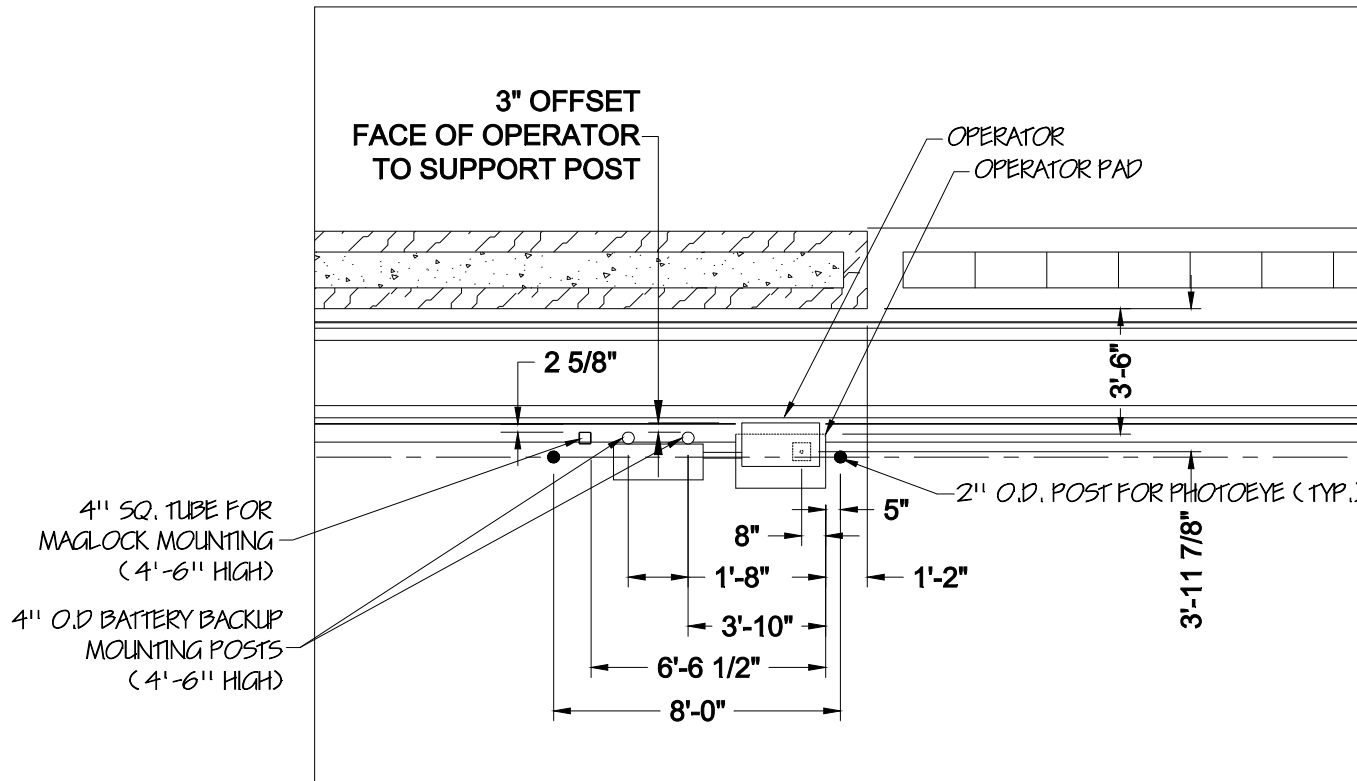


3 OPERATOR SIDE ELEVATION
 10-039-3 Scale: None

DIRECTORY/CAD FILE: Project Philadelphia Museum of Art Gate Operator		SHEET NUMBER: 3 of 5		DRAWING NUMBER: 10-039-3	
PROJECT: Philadelphia Museum of Art		SUBJECT: TYM-HYD Hydraulic Gate Operator		CONTRACTOR: ARCHITECT/ENGINEER:	
DRAWN BY: DWT		DATE: 5/22/12		SCALE: As Noted	
CHECKED BY: BGG		DATE: 5/22/12		REVISION LEVEL: R6	
PROPRIETARY & CONFIDENTIAL The information contained in this drawing is the sole property of TYMETAL CORP. Any reproduction in part or as a whole without the written permission of TYMETAL CORP. is prohibited.					
		www.tymetal.com 2549 STATE ROUTE 40 GREENWICH, N.Y. 12834 PH: (800) 328-4283 - FX: (518) 692-9404			



1 TRACK/FOOTING LAYOUT
 10-039-4 Scale: None



2 TRACK/FOOTING LAYOUT
 10-039-4 Scale: None

DIRECTORY/CAD FILE: PROJECT: Philadelphia Museum of Art		SHEET NUMBER: 4 of 5		DRAWING NUMBER: 10-039-4	
PROJECT: Philadelphia Museum of Art		SUBJECT: Track/Footing Layout		CONTRACTOR: ARCHITECT/ENGINEER: 	
DRAWN BY: DWT	DATE: 5/22/12	CHECKED BY: BGG	DATE: 5/22/12	SCALE: As Noted	
PROPRIETARY & CONFIDENTIAL The information contained in this drawing is the sole property of TYMETAL CORP. Any reproduction in part or as a whole without the written permission of TYMETAL CORP. is prohibited.				REVISION LEVEL: R6	
 www.tymetal.com		2549 STATE ROUTE 40 GREENWICH, N.Y. 12834 PH: (800) 328-4283 - FX: (518) 692-9404			

