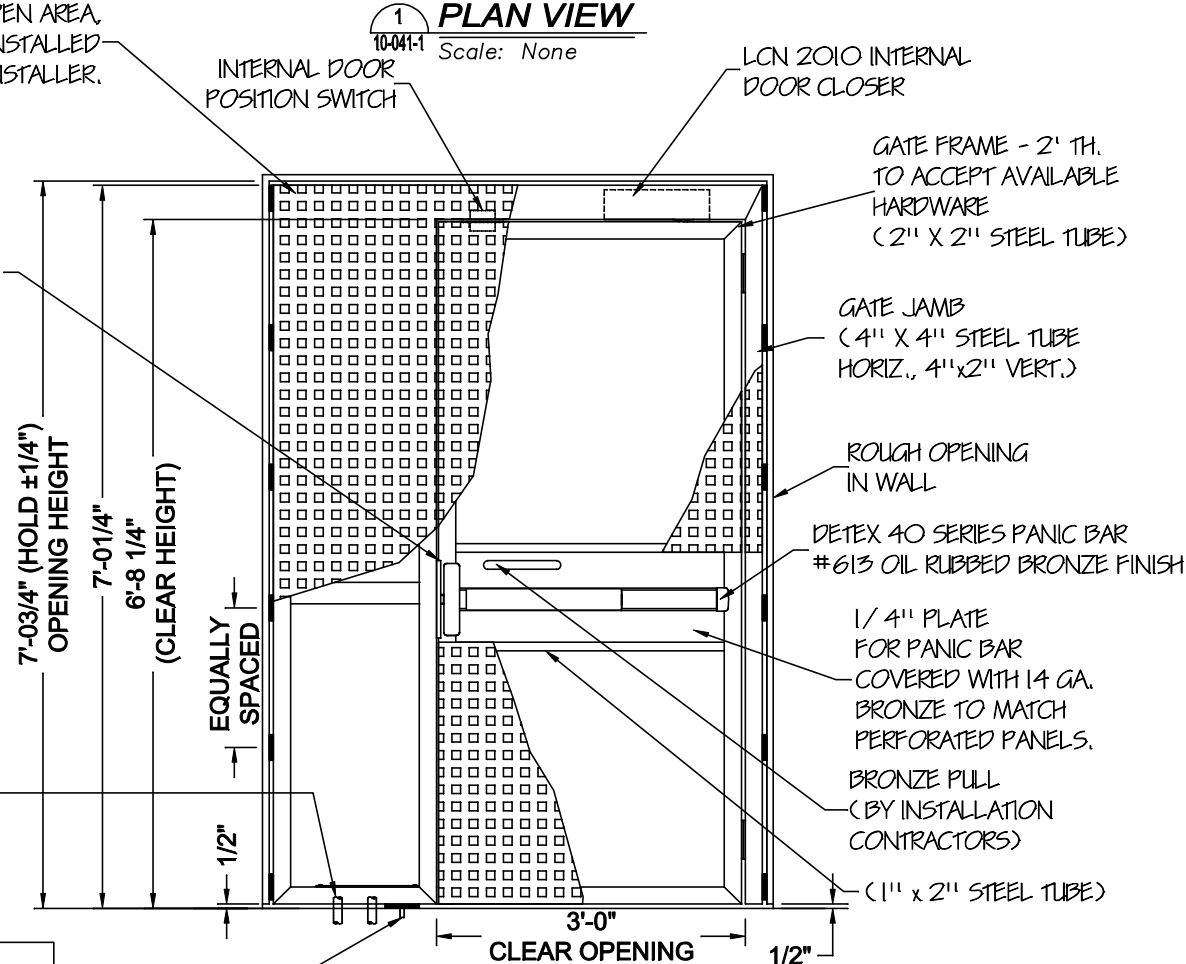


1 **PLAN VIEW**
Scale: None



2 **ELEVATION (SECURE SIDE)**
Scale: None

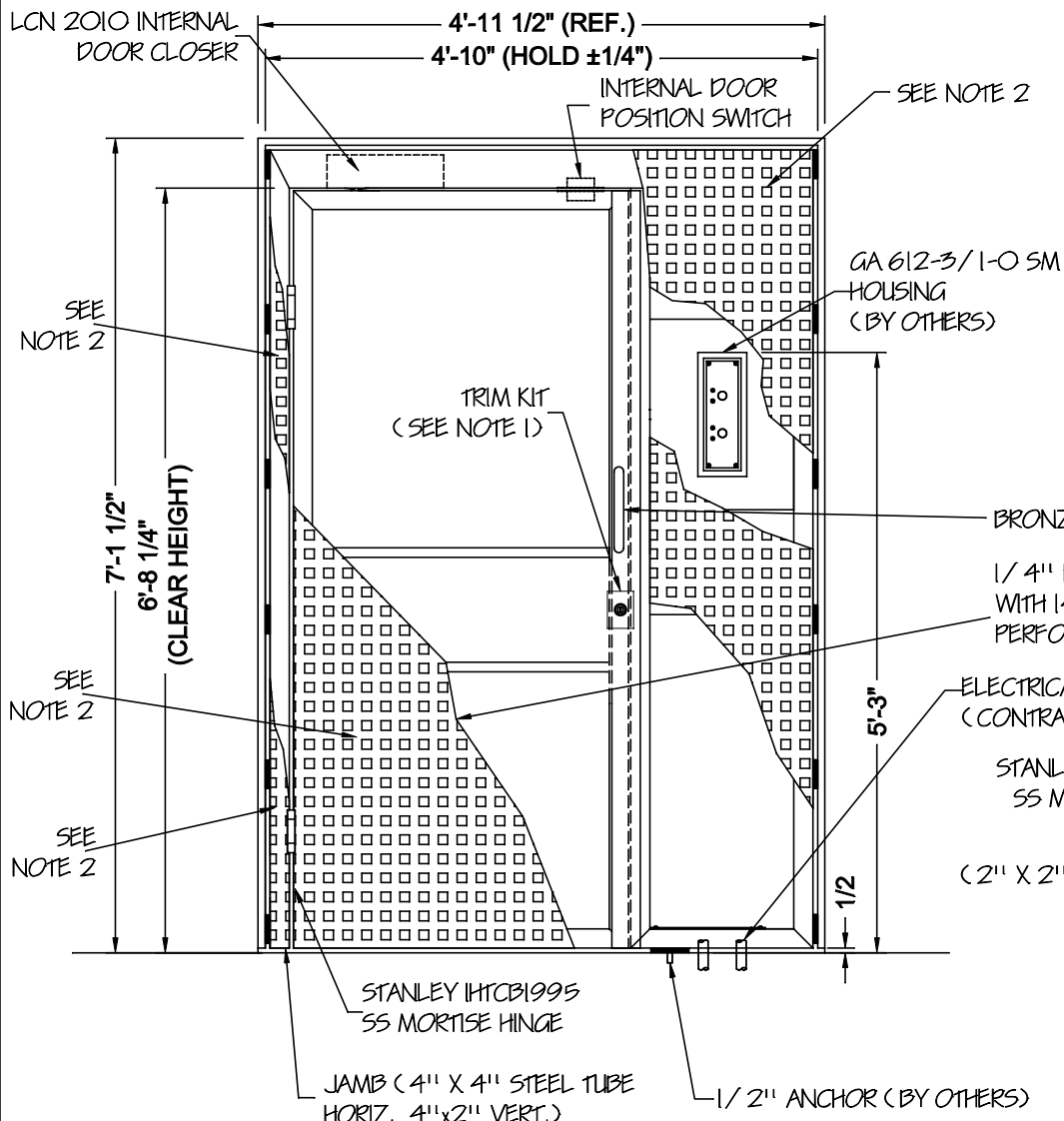
14 GA. BRONZE, PERFORATED WITH 40% OPEN AREA, CLAD BOTH SIDES, SUPPLIED AND INSTALLED BY GATE INSTALLER.

- NOTE:**
1. STAINLESS STEEL JAMB TRIM BY OTHERS.
 2. GATE FRAME WILL BE FILLED WITH 14 GA. BRONZE, PERFORATED WITH 40% OPEN AREA, SUPPLIED AND INSTALLED BY GATE INSTALLER, BOTH SIDES.
 3. GATE FRAME AND JAMB TO BE GALVANIZED AND POWDER COATED WITH RAL #8014.
 4. ALL DISSIMILIAR METALS TO BE SEPARATED BY DIELECTRIC SEPERATORS.

ELECTRICAL STUB UPS (BY OTHERS) CONTRACTOR TO CO-ORDINATE LOCATION

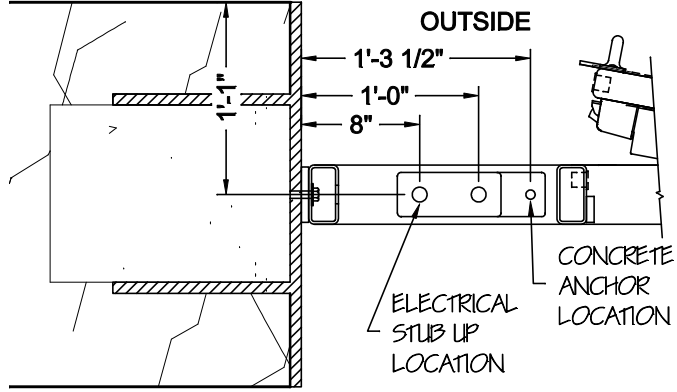
APPROVAL (To be completed by customer):
Name (Print): _____
Signature: _____ Date: _____

DIRECTORY CAD FILE: 10-041-1.dwg		SHEET NUMBER: 1 of 2		DRAWING NUMBER: 10-041-1	
PROJECT: 2150 Pedestrian Swing Gate (3'-0" x 7'-0" Opening)		SUBJECT: 2150 Pedestrian Swing Gate (3'-0" x 7'-0" Opening)		CONTRACTOR: ARCHITECT/ENGINEER: 	
DRAWN BY: LG	DATE: 6/7/12	CHECKED BY: BGG	DATE: 6/7/12	SCALE: As Noted	REVISION LEVEL: R5
PROPRIETARY & CONFIDENTIAL The information contained in this drawing is the sole property of TYMETAL CORP. Any reproduction in part or as a whole without the written permission of TYMETAL CORP. is prohibited.					
TYMETAL CORP. www.tymetal.com 2549 STATE ROUTE 40 GREENWICH, N.Y. 12834 PH: (800) 328-4283 - FX: (518) 682-3404					

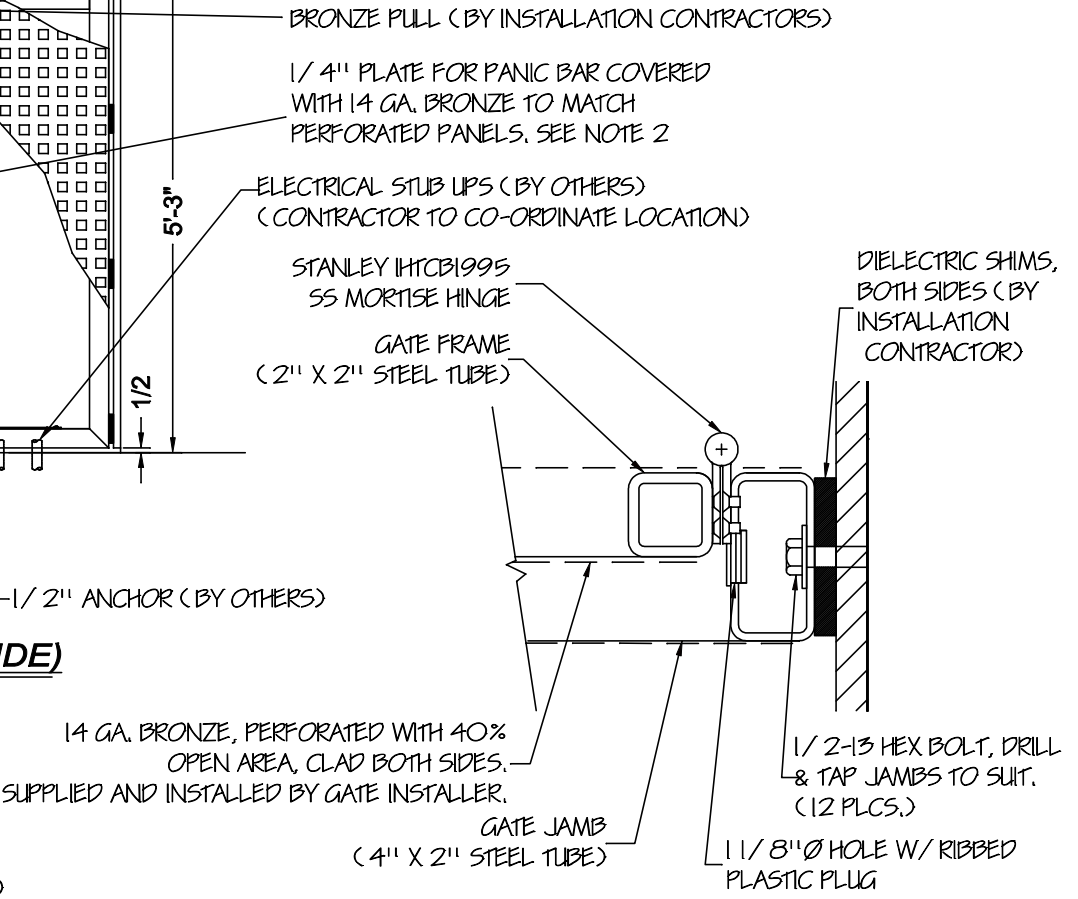


1 ELEVATION (UNSECURE SIDE)
10-041-2 Scale: None

- NOTES:**
1. DETEX WS TRIM, #613 OIL RUBBED BRONZE FINISH.
 2. ALL SURFACES THIS SIDE (DOOR AND ALL JAMB PIECES) ARE FLUSH IN THE SAME PLANE.



3 CONDUIT LOCATION DETAIL
10-041-2 Scale: None



2 HINGE DETAIL
10-041-2 Scale: None

DIRECTORY CAD FILE: (N:\Projects\10-041-2\10-041-2.dwg)		SHEET NUMBER: 2 of 2		DRAWING NUMBER: 10-041-2	
PROJECT: 2150 Pedestrian Swing Gate (3'-0" x 7'-0" Opening)		SUBJECT: CONTRACTOR:		ARCHITECT/ENGINEER:	
DRAWN BY: IG	DATE: 6/7/12	CHECKED BY: BGG	DATE: 6/7/12	SCALE: As Noted	
PROPRIETARY & CONFIDENTIAL The information contained in this drawing is the sole property of TYMETAL CORP. Any reproduction in part or as a whole without the written permission of TYMETAL CORP. is prohibited.				REVISION LEVEL: R5	
TYMETAL CORP. www.tymetal.com		2549 STATE ROUTE 40 GREENWICH, N.Y. 12834 PH: (800) 328-4283 - FX: (518) 692-3404			